

SNO-WAY®

SNOW & ICE CONTROL EQUIPMENT

SERVICE PARTS MANUAL

22 SERIES SNOW PLOWS WITH EIS® PLOW LIGHT HARNESS CONNECTIONS

FOR GRAVITY HYDRAULICS
WITH SERIAL NUMBERS BEFORE 22G100200
WITH SERIAL NUMBERS AFTER 22G200000

FOR DOWN PRESSURE® HYDRAULICS
WITH SERIAL NUMBERS BEFORE 22D102000
WITH SERIAL NUMBERS AFTER 22D200000

Sno-Way®, Down Pressure® and EIS® are registered trademarks of Sno-Way International, Inc.
ProControl™, MegaBlade™, V-Wing™, E-Z Switch™, Revolution™, MaxAdjust™, SpeedLock™, and QuickJack™
are trademarks of Sno-Way International, Inc.

©2009 Sno-Way® International

97101024H

TABLE OF CONTENTS

	Page
PARTS LIST INTRODUCTION.....	2
POWER PACK FRAME.....	3
BLADES.....	6
HYDRAULIC SYSTEM - GRAVITY DOWN.....	7
HYDRAULIC SYSTEM - DOWN PRESSURE.....	8
HYDRAULIC POWER UNIT - GRAVITY DOWN SYSTEM.....	9
HYDRAULIC POWER UNIT - DOWN PRESSURE SYSTEM.....	11
LIFT CYLINDER - GRAVITY DOWN SYSTEM.....	13
LIFT CYLINDER - DOWN PRESSURE SYSTEM.....	14
ANGLE CYLINDERS	15
POWER PACK WIRING	16
CONTROL SYSTEM WIRING - S.N. BEFORE: 22G100200, 22D102000.....	17
PROCONTROL SYSTEM WIRING - S.N. AFTER: 22G200000, 22D200000	18
AUXILIARY LIGHTS	19
NUMERICAL INDEX	21

PARTS LIST INTRODUCTION

Our dealership network stands by to provide you with any assistance you may require, including genuine Sno-Way service parts. All parts should be obtained from or ordered through your dealer. Give complete information about the part as well as the Model Number and Serial Number of your machine.

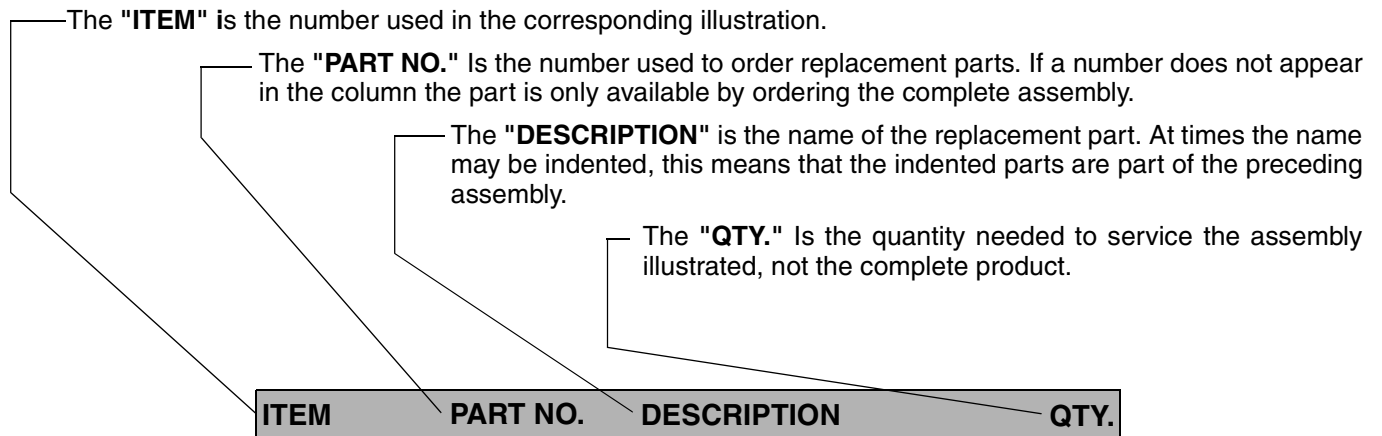
Record the Serial Number in the space provided in your Owner's Manual for quick reference. The Serial Number for the unit is on a plate located on the left frame gusset of the Hopper Frame.

"Right" and "Left" are determined from a position sitting on the Operators Seat of the vehicle.

We reserve the right to make changes or improvements in the design or construction of any part without incurring the obligation to install such changes in any unit previously delivered.

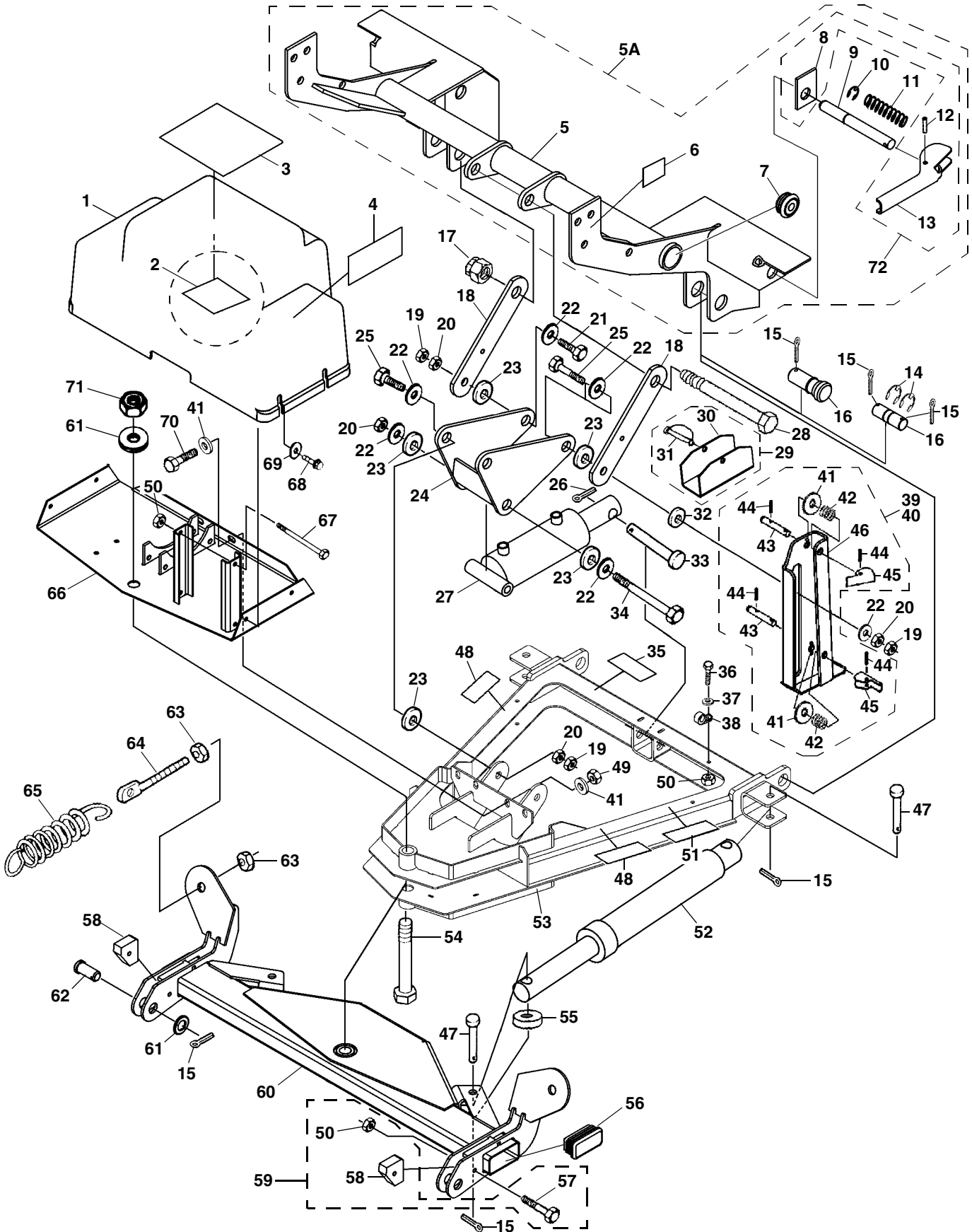
USING THIS PARTS LIST

Below is parts listing with four columns. The first column is the "ITEM", the second is the "PART NUMBER", The third is the "DESCRIPTION" and the fourth is the "QUANTITY".



ITEM	PART NO.	DESCRIPTION	QTY.
1	96100083	O-ring	1
2	96001529	Elbow	3
3	98100036	Capscrew, Hex., 3/8"-16NC x 7/8"	9

POWER PACK FRAME



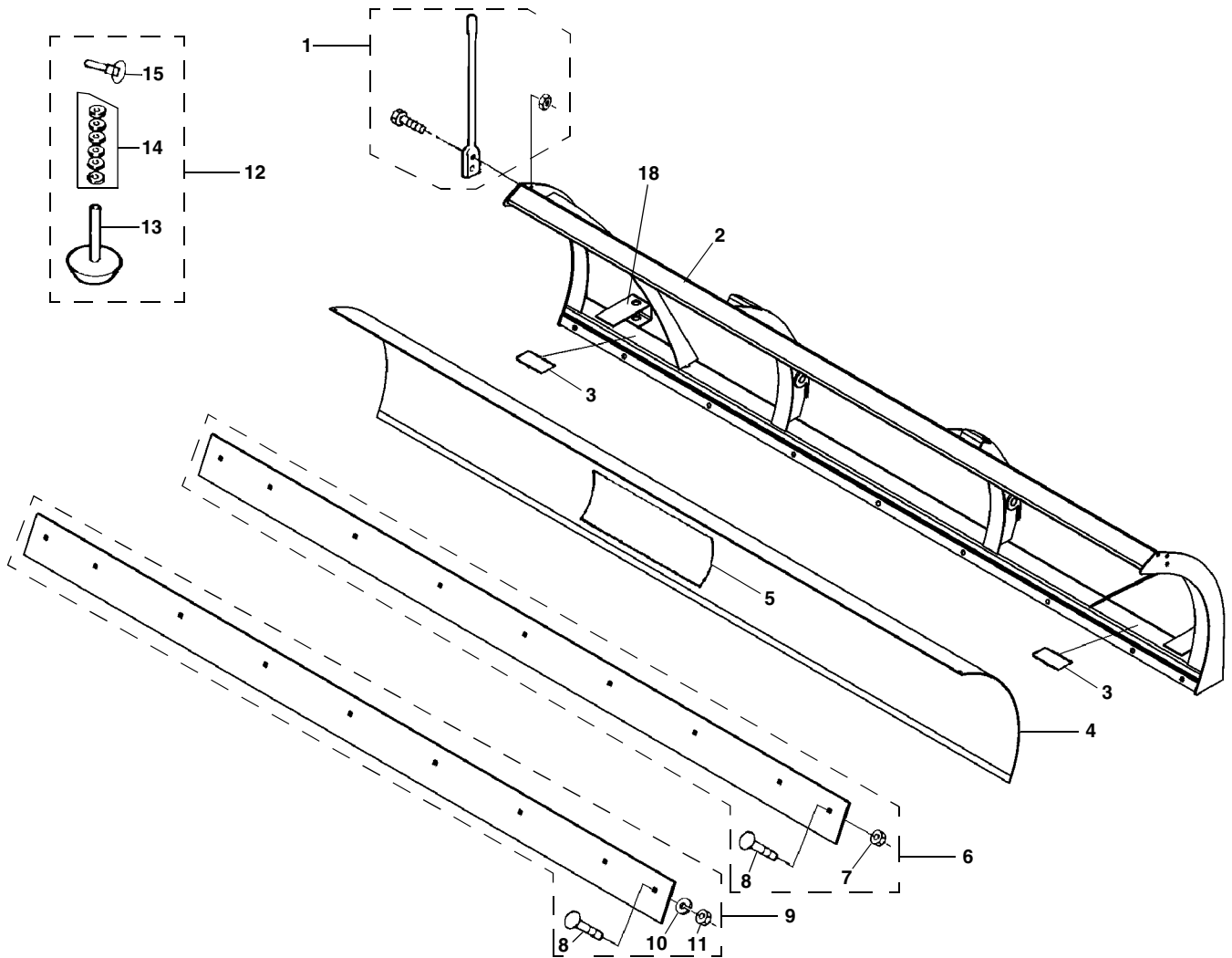
POWER PACK FRAME

ITEM	PART NO.	DESCRIPTION	QTY
1	96106073	Cover, 32 Series Pump.....	1
2	97101582	Decal, Wiring Schematic, ProControl	1
	97100750	Decal, DP System.....	1
	97100752	Decal, Gravity System	1
3	97100986	Decal, Mounting Instructions	1
4	97101087	Decal, Warning, Cover Removal.....	1
5	96109014	Light/Lift Bar, Quick-Attach	1
5A	96107550	Assembly, Light/Lift Bar, Quick-Attach (Serial Numbers before 22D101184 and 22G100097, Order (2) lower hitch pins, item 16 with item 5.).....	1
6	97100400	Decal, Warning	1
7	96108875	End Cap, 1-1/2"	2
8	96110515	Plate, Bearing, Polyethylene.....	2
9	96107128	Pin, Quick-Tatch - Upper Hitch Pin	2
10	98100312	E-Ring.....	2
11	96107130	Spring, SS	2
12	98100313	Pin, Roll, 1/4 x 1-3/8" SS	2
13		Handle, Quick-Release (Available as Kit, Item 72)	
14	98100326	E-Ring, 7/8"	4
15	98009085	Pin, Cotter, 5/32" x 1-1/2"	10
16	96106958	Pin, Quick Hitch - Lower Hitch Pin (Use for Serial Numbers on or before 22D101183 and 22G100096)	2
	96109928	Pin, Quick Hitch - Lower Hitch Pin (Use for Serial Numbers on or after 22D101184 and 22G100097)	2
17	98009038	Nut, Nylock, 5/8"-11	1
18	96106885	Link, Lift	2
19	98100172	Nut, Jam, 1/2"-13	4
20	98009013	Nut, Nylock, 1/2"-13	5
21	98100390	Cap Screw, Hex, 1/2"-13 x 1-3/4"	2
22	98100176	Washer, Hardened.....	7
23		Spacer, Lift Bar (Available only in Kit)	
	96110393	Kit, Spacer (includes item 17, 28, two of item 19, 20, 21, and six of item 23)	6
24	96106884	Bellcrank.....	1
25	98100010	Cap Screw, Hex, 1/2"-13 x 2".....	2
26	98100341	Pin, Cotter, 5/32" x 1".....	1
27	96106893	Cylinder, Lift, Gravity Down	1
	96106894	Cylinder, Lift, Down Pressure	1
28	98009197	Cap Screw, Hex 5/8"-11 x 6".....	1
29	96105278	Clamp, Cylinder Lock, Gravity Down	1
	96107769	Clamp, Cylinder Lock, Down Pressure	1
30		Clamp, Cylinder Lock, Gravity Down	1
		Clamp, Cylinder Lock, Down Pressure	1
31		Pin, Wire Lock.....	1
32	96102168	Spacer, Stand	1
33	98100251	Pin, Clevis, 5/8" x 3-1/2"	1
34	98009114	Cap Screw, Hex, 1/2"-13 x 6".....	1
35	97100005	Decal, Patent	1
36	98009027	Cap Screw, Hex, 1/4"-20 x 1"	1
37	98100254	Washer, Flat, 1/4"	1
38	96101891	Clamp, Tube.....	1
39	96106605	Jackstand Assembly, 22/26/29/32 Series	1
40	96107711	Kit, Jackstand Hardware (includes one ea. items 41, 42, 43, 45, two item 44)	2
41	98009032	Washer, 3/8"	6
42		Spring, Latch	2
43		Pin, Latch.....	2
44		Roll Pin, 5/32" x 7/8"	4
45		Cam, Jackstand	2
46	96106986	Jackstand.....	1
47	98100322	Pin, Clevis, 1/2" x 2-3/8"	4
48	97100876	Decal, Warning, Pinch Point	2
49	98009009	Nut, Hex Nylock, 3/8"-16	2
50	98100255	Nut, Nylock, 1/4"-20	4
51	97100001	Decal, Warning	1
52	96110951	Cylinder, Angle, 1" (see Page 16 for parts breakdown)	2
53	96107512	A-Frame, 22 Series.....	1

POWER PACK FRAME

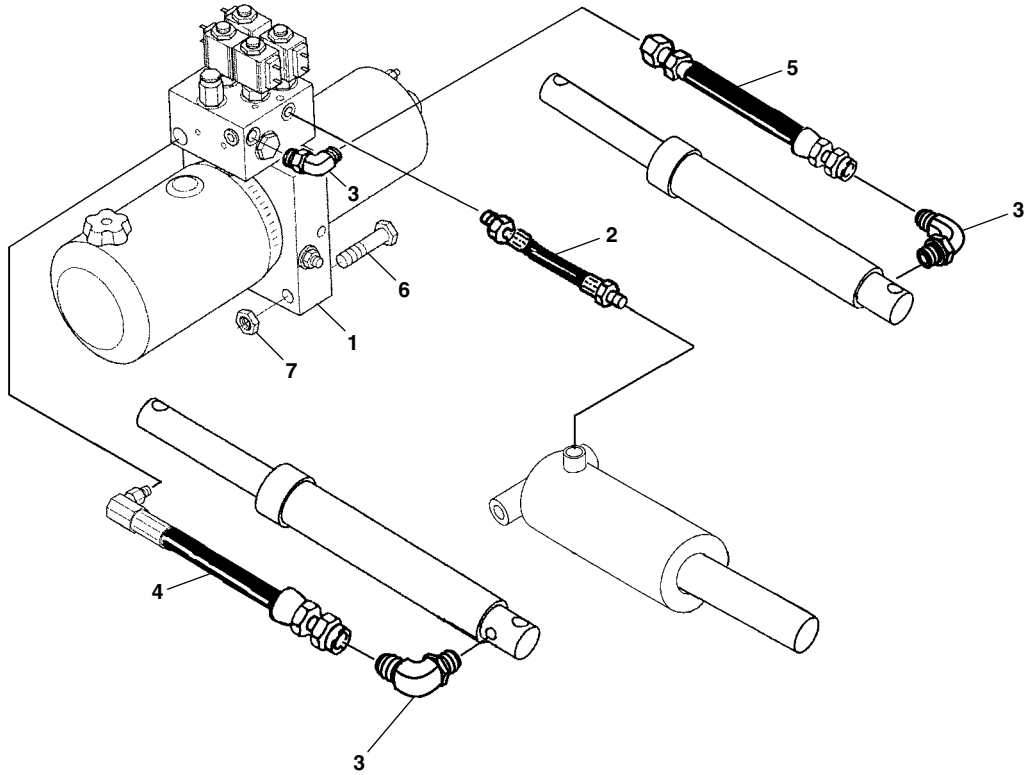
ITEM	PART NO.	DESCRIPTION	QTY
54	98100324	Cap Screw, Hex, 3/4"-10 x 6-1/2"	1
55	96107710	Spacer, Swing Cylinder 22	2
56	96108877	End Cap, 3 x 1-1/2"	2
57	98100340	Cap Screw, Hex, 1/4"-20 x 1-1/2"	2
58		Cushion/Stop, Blade Trip, 22 Series	1
59	96108338	Kit, Stop, Blade Trip, 22.....	1
60	96106391	Frame, Swing, 22 Series.....	1
61	98009030	Washer, Flat, 3/4"	3
62	98100320	Pin, Clevis, 3/4" x 1-5/8"	2
63	98009078	Nut, Hex, 5/8"-11	4
64	96102781	Eye Bolt, 5/8"-11 x 6"	2
65	96106889	Spring, Trip	2
66	96106903	Platform, Pump	1
67	98100266	Cap Screw, Hex, 1/4"-20 x 6"	1
68	98019176	Screw, Flange Head, Self-Tapping, 5/16" x 1"	4
69	98019230	Washer, Flat, 5/16"	4
70	98009022	Cap Screw, Hex, 3/8"-16 x 1"	2
71	98100323	Nut, Hex, 3/4"-10.....	1
72	99100953	Kit, Cam Handle (includes item 8,12, and 13)	2

BLADES



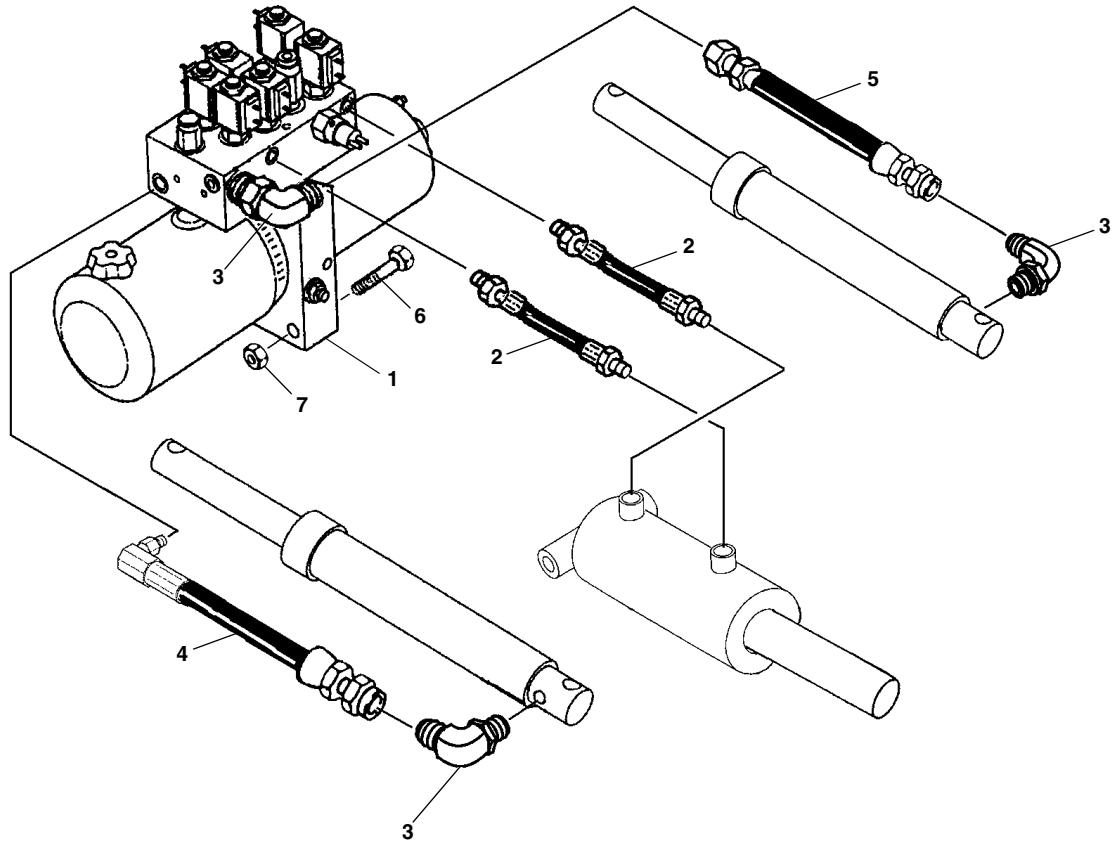
ITEM	PART NO.	DESCRIPTION	QTY
1	96106696	Kit, Guide, Blade (includes 2 Guides and Mounting Hardware)	1
2		Frame, 72"	1
		Frame, 80"	1
		Frame, 90"	1
3	97100018	Decal, Warning	2
4	96107793	Kit, Skin, Polycarbonate, 72" (includes "Sno-Way" Decal)	1
	96107794	Kit, Skin, Polycarbonate, 80" (includes "Sno-Way" Decal)	1
	96107795	Kit, Skin, Polycarbonate, 90" (includes "Sno-Way" Decal)	1
5	97100912	Decal, Sno-Way (used with Polycarbonate Blade)	1
6	96107796	Kit, Wearstrip, Steel, 72"	1
	96107797	Kit, Wearstrip, Steel, 80"	1
	96107798	Kit, Wearstrip, Steel, 90"	1
7	98009009	Nut, Hex., Nylock, 3/8"-16	9
8	98009061	Bolt, Carriage, Gr. 5, 3/8"-16 x 1-1/2"	9
9	96108011	Kit, Wearstrip, Poly, 72"	1
	96108012	Kit, Wearstrip, Poly, 80"	1
	96108013	Kit, Wearstrip, Poly, 90"	1
10	98009008	Washer, Lock, 3/8"	9
11	98009077	Nut, Hex, 3/8"-16	9
12	96001191	Assembly, Shoe	2
13		Shoe, Cast, 3/4" Shaft	1
14	98009127	Washer, Flat, 7/8"	25
15	98009169	Pin, Lynch, 1/4" x 1-9/16"	1
16	99100490	Kit, Deflector, Curled (all blades, includes Hardware)	1
17	96101257	Hardware Kit, Curled Deflector	1
18	96107463	Brkt., Shoe, 22	2

HYDRAULIC SYSTEM GRAVITY DOWN



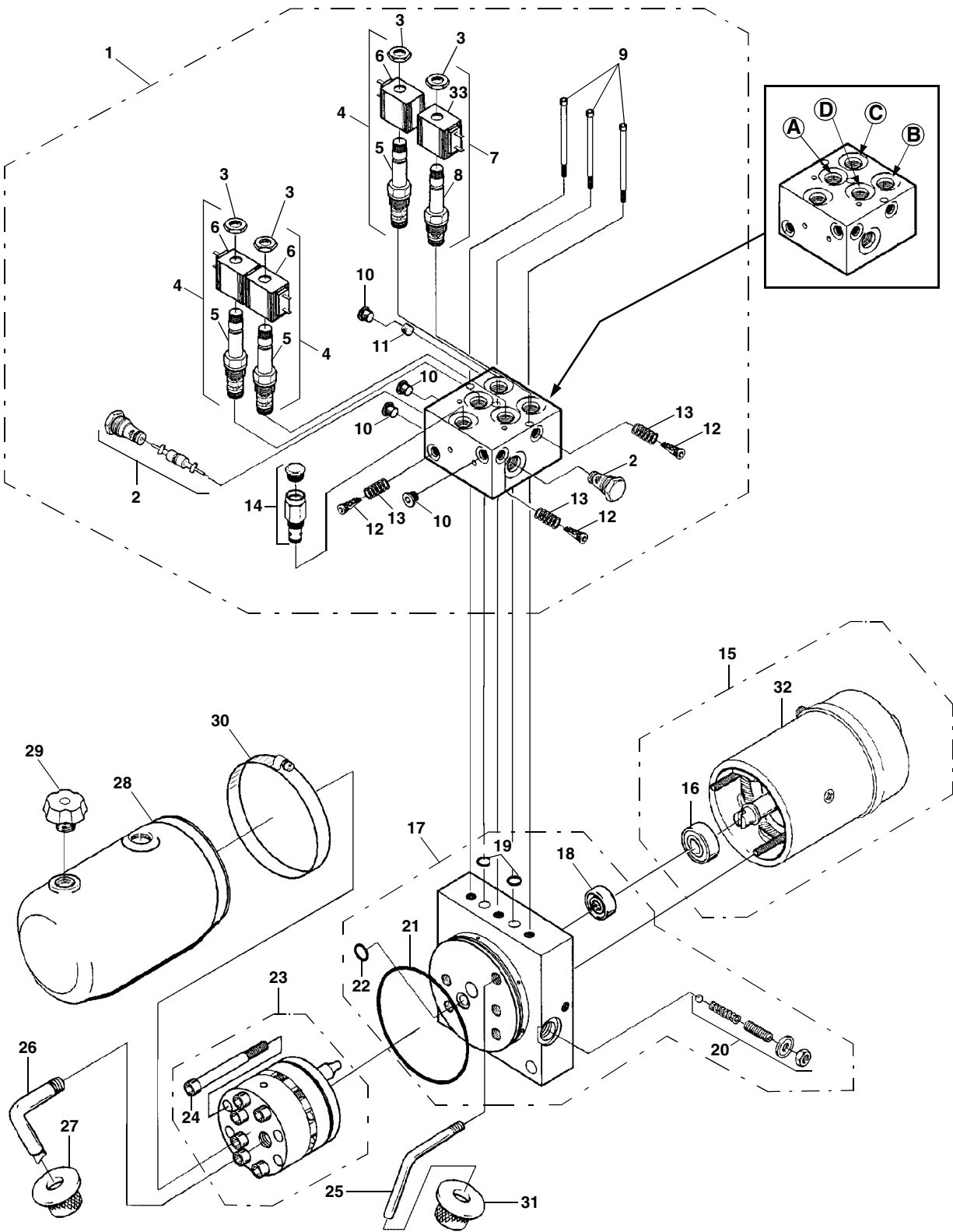
ITEM	PART NO.	DESCRIPTION	QTY
1	96107514	Power Unit, Gravity, 22 (see Page 8 for parts breakdown)	1
2	96106069	Hose, Hydraulic, 18-3/4"	1
3	96100001	Fitting, Elbow, 90 Degree.....	3
4	96106070	Hose, Hydraulic, 27-1/2"	1
5	96106071	Hose, Hydraulic, 32"	1
6	98100264	Capscrew, Hex Head, 5/16"-18 x 2-1/4"	2
7	98009150	Nylock, Hex Head, 5/16"-18.....	2

HYDRAULIC SYSTEM DOWN PRESSURE



ITEM	PART NO.	DESCRIPTION	QTY
1	96107515	Power Unit, DP, 22 (see Page 10 for parts breakdown)	1
2	96106069	Hose, Hydraulic, 18-3/4"	2
3	96100001	Fitting, Elbow, 90 Degree	3
4	96106070	Hose, Hydraulic, 27-1/2"	1
5	96106071	Hose, Hydraulic, 32"	1
6	98100264	Capscrew, Hex Head, 5/16"-18 x 2-1/4"	2
7	98009150	Nylock, Hex Head, 5/16"-18	2

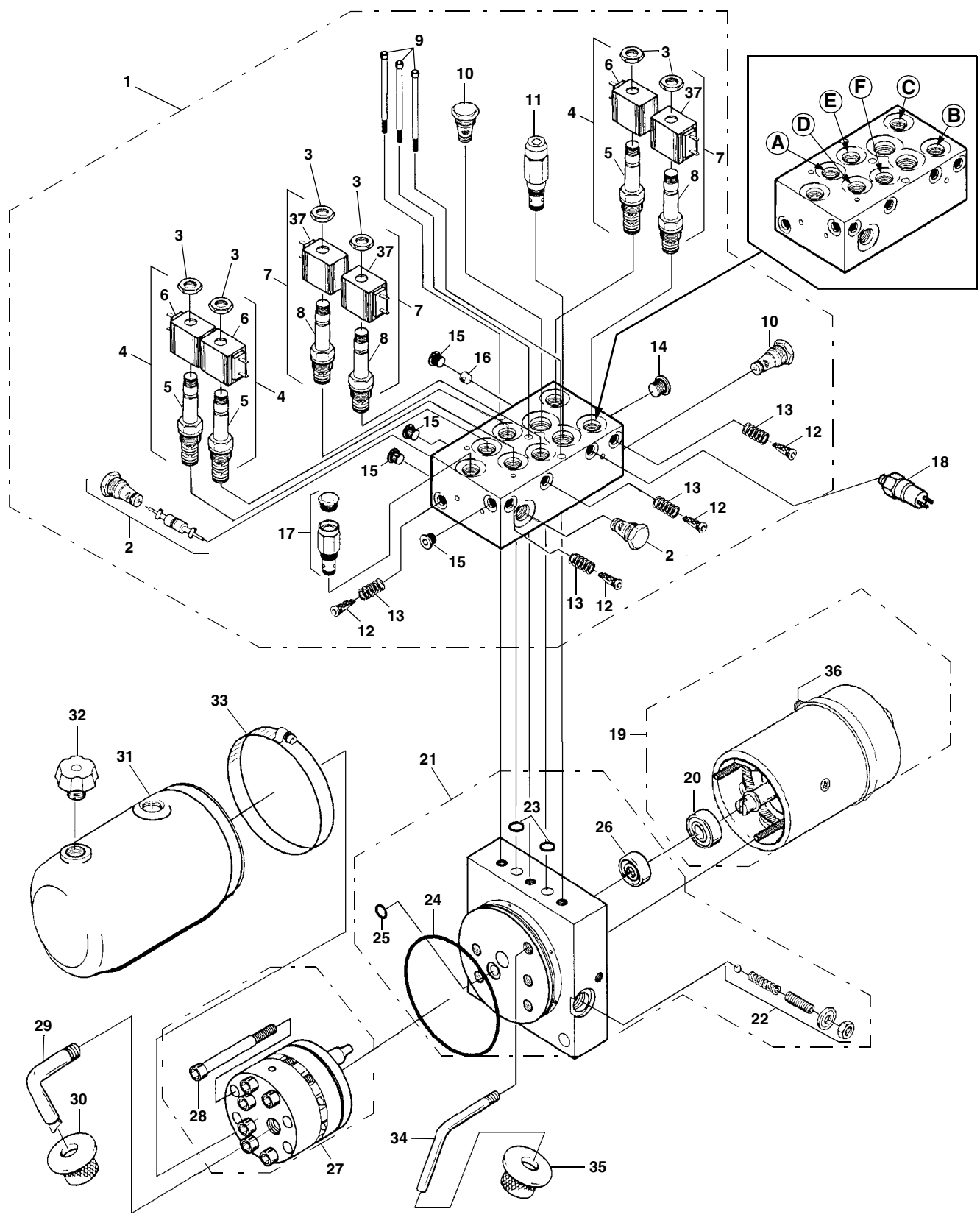
HYDRAULIC POWER UNIT GRAVITY DOWN SYSTEM



HYDRAULIC POWER UNIT GRAVITY DOWN SYSTEM

ITEM	PART NO.	DESCRIPTION	QTY
1		Valve Assembly	1
2	96106273	Valve, Check	1
3	96105275	Nut, Coil Retaining	4
4		Valve, 10V DC (Red Coil) - Use part 96108341	3
	96108341	Valve, 3-Way, 10V DC (Black Coil)	3
5		Cartridge (Red Coil) - Use part 96108341	3
	96108324	Cartridge, 3-Way (Black Coil)	3
6	96105274	Coil, 10V DC (Red)	4
	96108323	Coil, 10V DC (Black)	4
7		Valve, 10V DC (Red Coil) - Use part 96108342	1
	96108342	Valve, 2-Way, 10V DC (Blue Coil)	1
8		Cartridge (Red Coil) - Use part 96108342	1
	96108325	Cartridge, 2-Way (Blue Coil)	1
9	96105237	Screw	3
10	96105234	Fitting, Plug	4
11	96105422	Fitting, Orifice, .0468 dia.	1
	96108627	Kit, Orifice (to adjust drop rate)	1
12	96105250	Screen, Inline	3
13	96105251	Spring, Retaining.....	3
14	96105243	Valve, Relief, Cross Over	1
15	96106802	Motor, 12V DC.....	1
16		Bearing, Motor Base	1
17	96105232	Base Assembly, Pump	1
18	96105317	Seal, Shaft.....	1
19	96105314	O-Ring.....	2
20	96105313	Parts Kit, Relief Valve	1
21	96105315	O-Ring.....	1
22	96105316	O-Ring.....	1
23	96107803	Pump Assembly	1
24		Screw, Socket Head Cap	4
25	96105249	Tube, Return.....	1
26	96105246	Tube, Suction	1
27	96105245	Filter, Suction	1
28	96105241	Reservoir.....	1
29	96105244	Filler Cap.....	1
30	96105231	Clamp.....	1
31	96105318	Filter, Return	1
32	96106803	Brush, Replacement Kit	1
33	96111171	Coil, 10V DC (Blue Coil).....	1

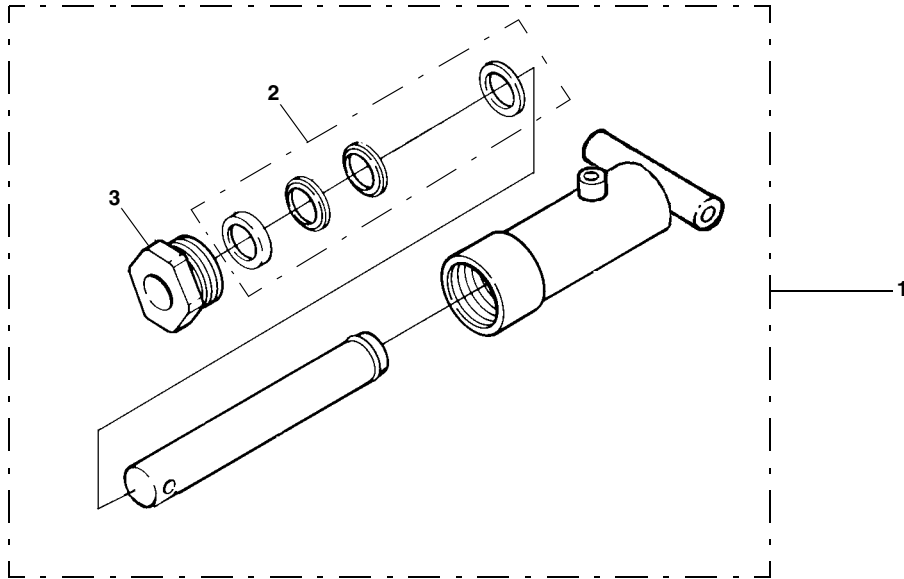
HYDRAULIC POWER UNIT DOWN PRESSURE SYSTEM



HYDRAULIC POWER UNIT DOWN PRESSURE SYSTEM

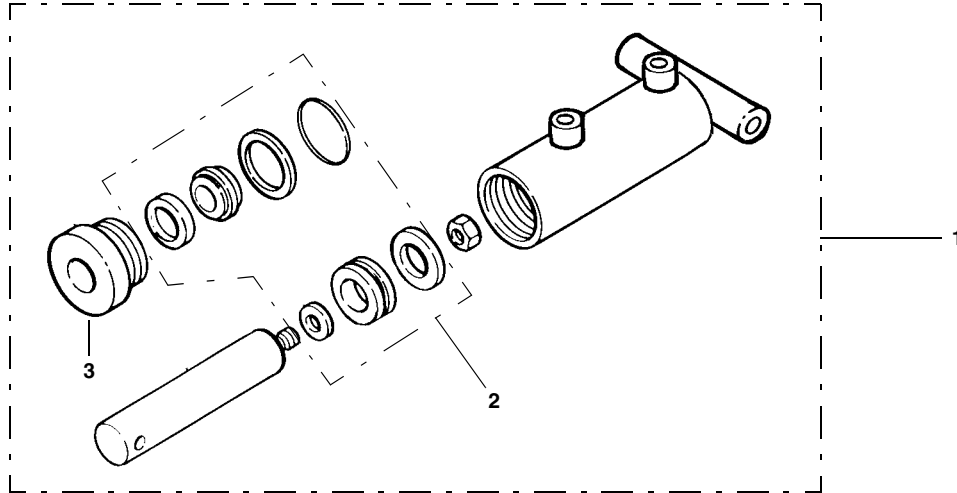
ITEM	PART NO.	DESCRIPTION	QTY
1		Valve Assembly	1
2	96106273	Valve, Check	1
3	96105275	Nut, Coil Retaining.....	6
4		Valve, 10V DC (Red Coil) - Use part 96108341	3
	96108341	Valve, 3-Way, 10V DC (Black Coil)	3
5		Cartridge (Red Coil) - Use part 96108341	3
	96108324	Cartridge, 3-Way (Black Coil)	3
6	96105274	Coil, 10V DC (Red).....	6
	96108323	Coil, 10V DC (Black).....	6
7		Valve, 10V DC (Red Coil) - Use part 96108342	3
	96108342	Valve, 2-Way, 10V DC (Blue Coil).....	3
8		Cartridge (Red Coil) - Use part 96108342	3
	96108325	Cartridge, 2-Way (Blue Coil).....	3
9	96105237	Screw.....	3
10	96105238	Valve, Check.....	2
11	96105253	Valve, Relief, Down Pressure (460-500 psi)	1
12	96105250	Screen, Inline.....	4
13	96105251	Spring, Retaining.....	4
14	96105240	Fitting, Plug.....	2
15	96105234	Fitting, Plug.....	4
16	96105422	Fitting, Orifice, .0468 dia.....	1
	96108627	Kit, Orifice (to adjust drop rate).....	1
17	96105243	Valve, Relief, Crossover (2000 psi).....	1
18	96101976	Switch, Pressure (325 psi).....	1
19	96106802	Motor, 12V DC.....	1
20		Bearing, Motor Base.....	1
21	96105232	Base Assembly, Pump.....	1
22	96105313	Parts Kit, Relief Valve	1
23	96105314	O-Ring	2
24	96105315	O-Ring	1
25	96105316	O-Ring	1
26	96105317	Seal, Shaft	1
27	96107803	Pump Assembly.....	1
28		Screw, Socket Head Cap.....	4
29	96105246	Tube, Suction.....	1
30	96105245	Filter.....	1
31	96105241	Reservoir	1
32	96105244	Filler Cap	1
33	96105231	Clamp	1
34	96105249	Tube, Return	1
35	96105318	Filter, Return	1
36	96106803	Brush Replacement Kit.....	2
37	96111171	Coil, 10V DC (Blue Coil).....	3

LIFT CYLINDER GRAVITY DOWN SYSTEM



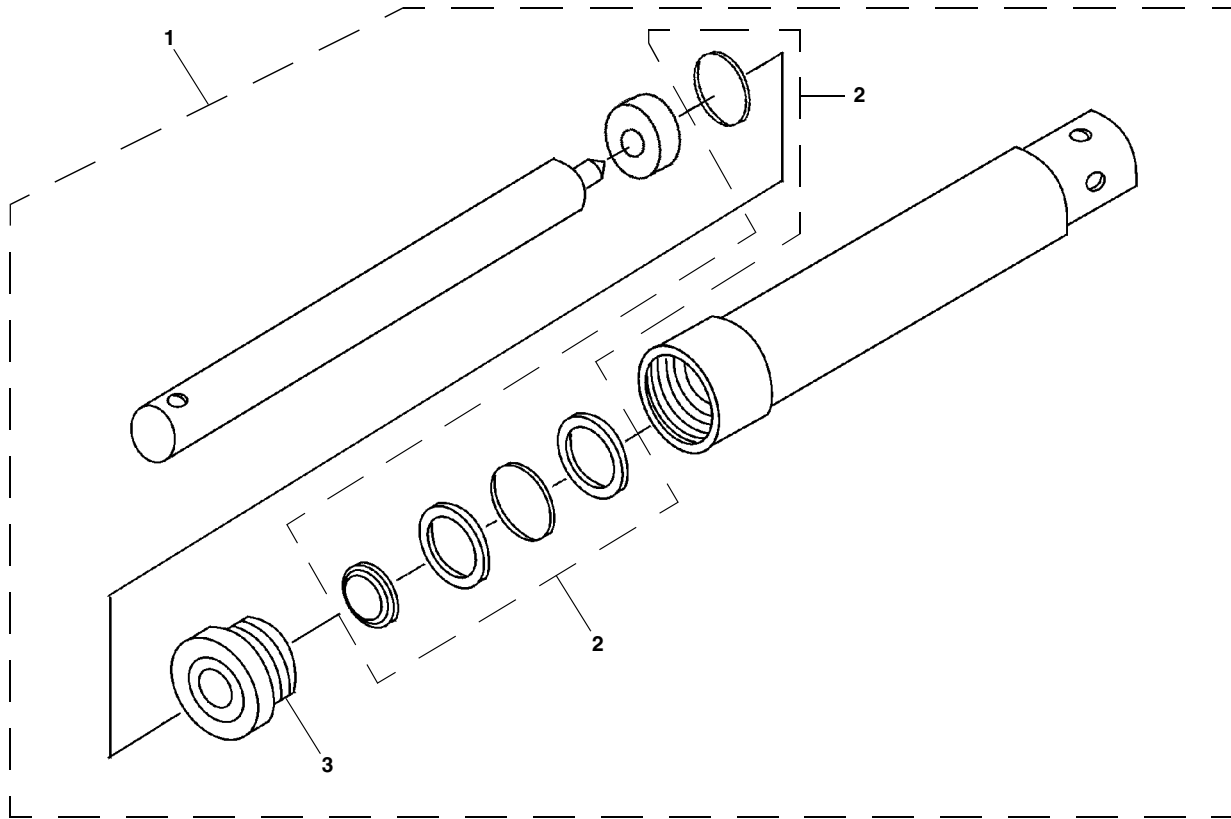
ITEM	PART NO.	DESCRIPTION	QTY
1	96106893	Cylinder, Lift, 2" (Single Action).....	1
2	96107806	Kit, Lift Cylinder Seal.....	1
		O-Ring.....	1
		Seal, Rod.....	1
		Ring, Guide.....	1
		Seal, Wiper.....	1
3	96107807	Gland Nut.....	1

LIFT CYLINDER DOWN PRESSURE SYSTEM



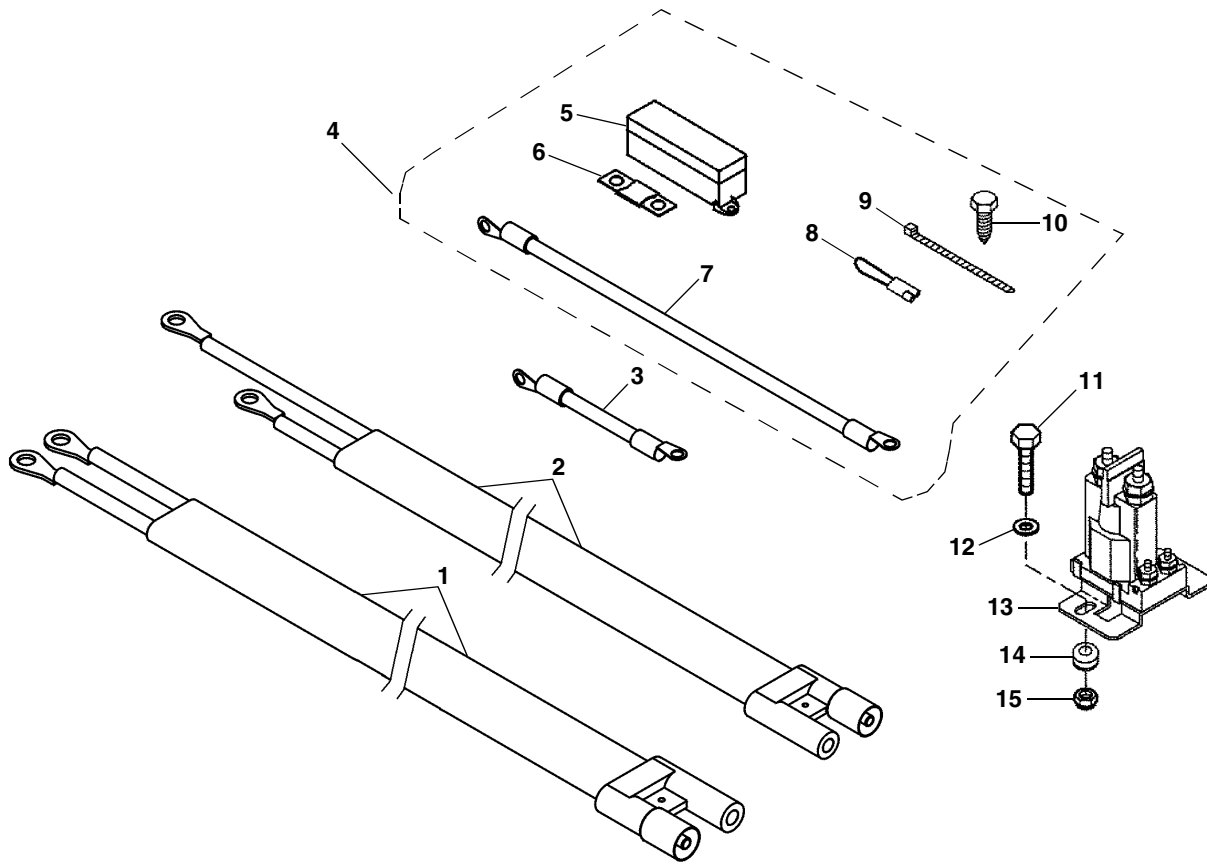
ITEM	PART NO.	DESCRIPTION	QTY
1	96106894	Cylinder, Lift, 2-1/2" (Double Action).....	1
2	96107808	Kit, Seal, For 2-1/2" Cylinder	1
3	96107809	Nut, Gland, For 2-1/2" Cylinder.....	1

ANGLE CYLINDERS



ITEM	PART NO.	DESCRIPTION	QTY
1	96110951	Cylinder, Swing, 1" (future use will replace 96106895)	2
2	96107810	Kit, Seal, 22 Swing Cylinder (for current cylinder)	1
		O-ring.....	1
		Seal, Rod.....	1
		Ring, Guide, 1"	2
		Seal, Wiper	1
2	96111172	Kit, Seal, 22 Swing Cylinder (for future use with 96110951)	1
		O-ring.....	2
		Seal, Rod.....	1
		Seal, Wiper	1
		Ring, Guide.....	1
3	96107811	Nut, Gland, 22 Swing Cylinder (for current cylinder)	1
3	96111173	Nut, Gland, 22 Swing Cylinder (for future use with 96110951)	1

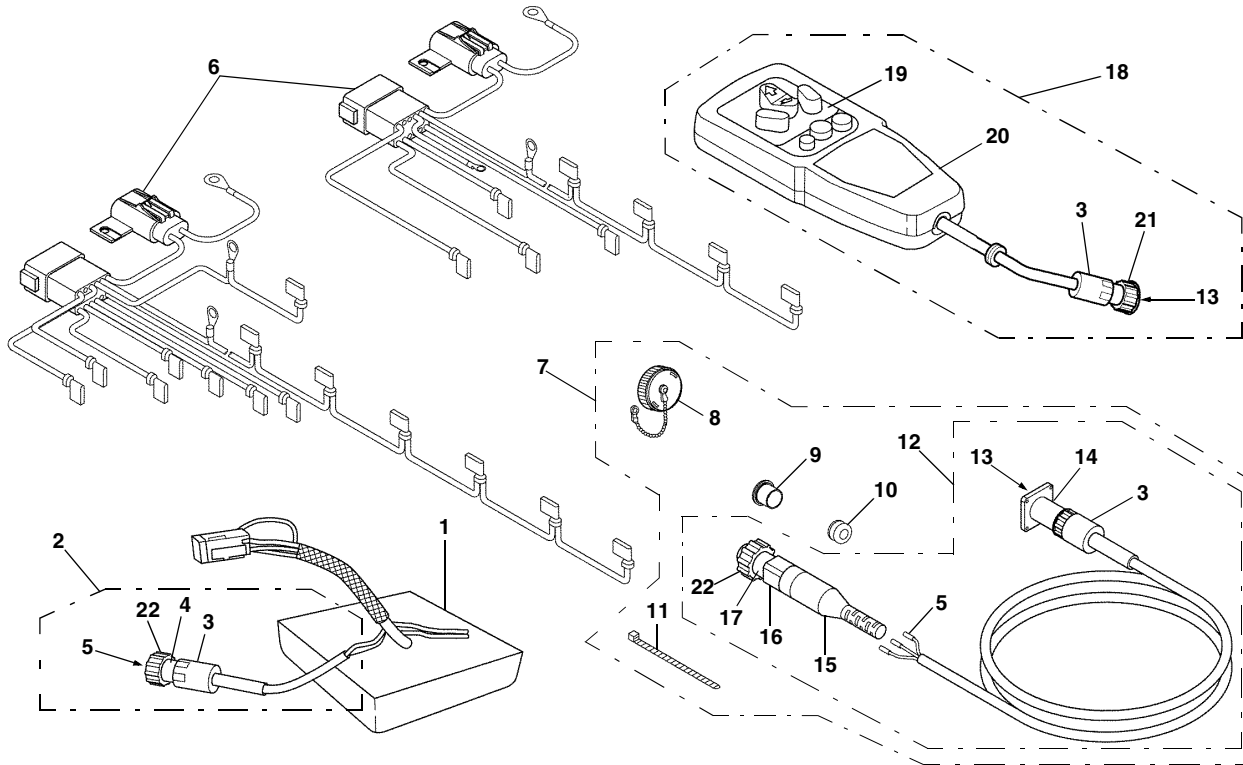
POWER PACK WIRING



ITEM	PART NO.	DESCRIPTION	QTY
1	96104221	Harness, Battery Power.....	1
2	96104230	Harness, Plow Power.....	1
3	96105273	Harness, Solenoid	1
4	96105167	Bag Power Harness Parts.....	1
5	96109143	Fuse Holder	1
6	96109142	Fuse, 250 Amp	1
7	96102891	Cable, Power.....	2
8	96105082	Cap, Protective	2
9	96001227	Strap, Tie Plastic.....	2
10	98100037	Screw, Self Tapping, #10-16 x 1"	4
11	98100391	Capscrew, Hex, 1/4"-20 x 7/8"	2
12	98100254	Washer, Flat, 1/4"	2
13	96002086	Switch, Solenoid	1
14	96105282	Grommet, 3/8" ID.....	2
15	98100255	Nut, Hex Head Nylock, 1/4"-20	2

CONTROL SYSTEM WIRING

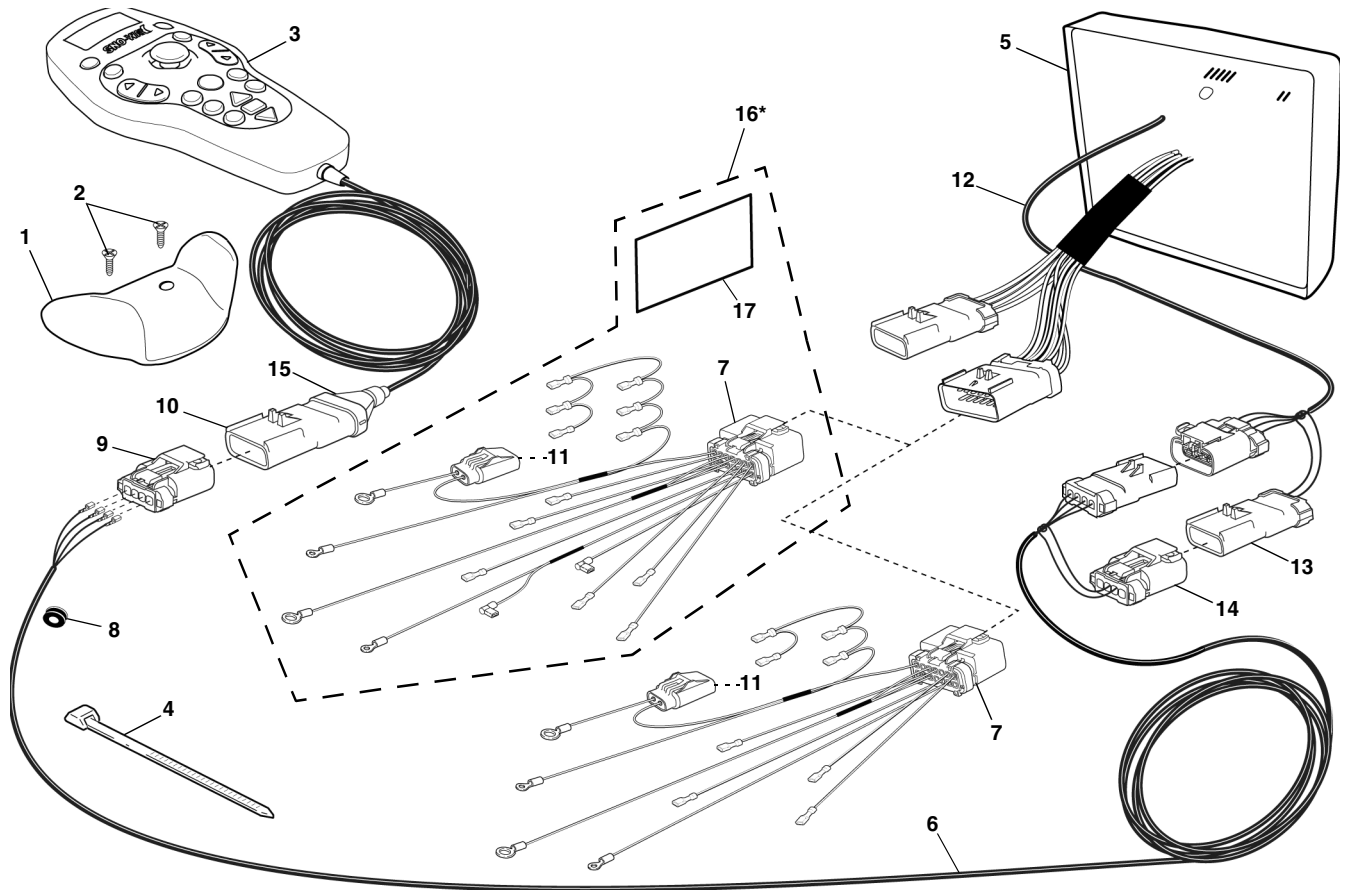
With S.N. Before: 22G100200, 22D102000



ITEM	PART NO.	DESCRIPTION	QTY
1	96105084	Module, Wired Control	1
	96107734	Module, Wireless Control	1
2	96105487	Harness Repair Kit	1
3	96105709	Clamp, Cable	3
4	96105418	Connector, Plug	1
5	96105370	Contact, Signal Socket	6
6	96105131	Harness, Solenoids - Gravity Down	1
	96108247	Harness, Solenoids - Down Pressure	1
7	96105081	Bag, Harness Controls	1
8	96105300	Cap, Screw-On	1
9	96105284	Cap, 1/2"	1
10	96104893	Grommet, 5/16" ID	1
11	96001227	Strap, Plastic Tie	5
12	96105101	Harness, Vehicle	1
13	96105416	Contact, Signal Pin	6
14	96105710	Connector, Receptacle, Flanged	1
15	96105419	Boot, Cable	1
16	96105420	Grip, Cable	1
17	96105708	Connector, Plug, Unsealed	1
18	96107354	Controller Assembly, Wired	1
	96107355	Controller Assembly, Wireless	1
19	96107356	Touch Pad, Straight Blade	1
20	96105299	Housing, Controller, Complete	1
21	96105417	Connector, Receptacle	1
22	96106533	Coupling Ring	2
23	96107382	Controller, Joystick, Str, Wired (not shown)	1
	96106472	Controller, Joystick, Str, Wireless (not shown)	1
24	96105325	Insertion Tool for Circular Connectors (not shown)	1
25	96105404	Extraction Tool for Circular Connectors (not shown)	1
26	96105877	Kit, Connector Repair (not shown) (includes: (3) #3, (1) #4, (6) #5, (6) #13, (1) #14, (1) #15, (1) #16, (1) #17, (1) #21, (1) #24, (1) #25	1

PROCONTROL SYSTEM WIRING

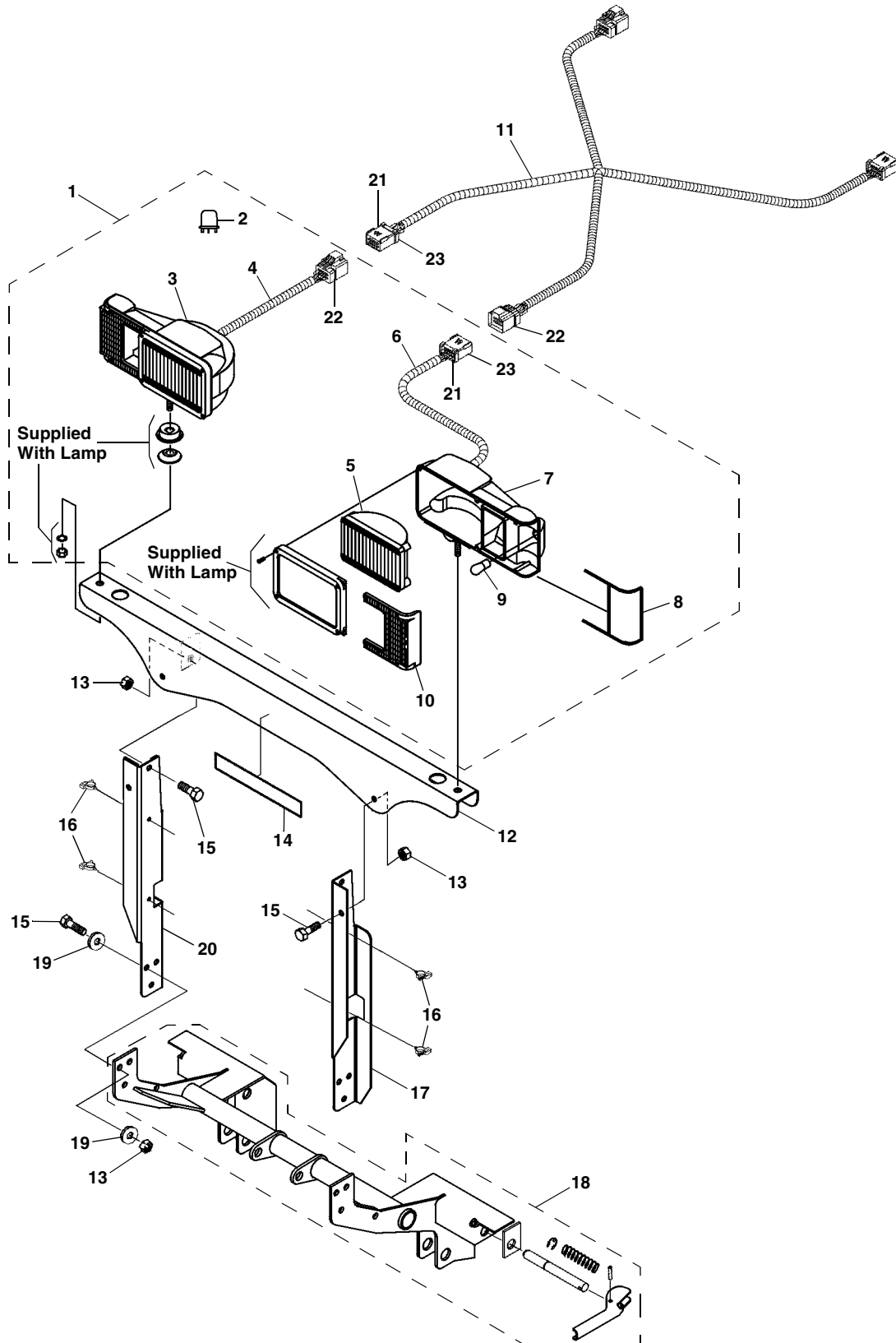
With S.N. After: 22G200000, 22D200000



ITEM	PART NO.	DESCRIPTION	QTY
1	96112259	Clip, Dash Mount.....	1
2	98100463	Screw.....	2
3	96112246	Transmitter, Wired	1
	96112244	Transmitter, Wireless	1
4	96001227	Strap, Plastic Tie	5
5	96112915	Module, Receiver, Wired, Universal	1
	96112260	Module, Receiver, Wireless, Universal	1
6	96112913	Harness, Vehicle	1
7	96112193	Harness, Control, Solenoid, Down Pressure.....	1
		Harness, Control, Solenoid, Gravity Down (Order Kit #96112955)	1
8	96112419	Rubber Grommet.....	1
9	96112300	Connector, Female 4 Way APEX.....	1
	96108662	Terminal, Female, 18/20 AWG (Not shown).....	1
10	96112301	Connector, Male 4 Way APEX.....	1
	96108661	Terminal, Male, 18/22 AWG (Not shown)	1
11	96112496	Fuse, 10 AMP (Not shown - In holder)	1
12	96112931	Kit, Module Harness Repair, ProControl Wired (Not shown).....	1
13	96112872	Cap, Storage, Male.....	1
14	96112871	Cap, Storage, Female.....	1
15	96112840	Strain Relief.....	1
16	96112955*	Kit, Solenoid Harness, ProControl (Includes Harness, Decal & Instructions) .	1
17	97101582	Decal, DP System, ProControl/Legacy	1

NOTE: The part descriptions above may use common industry standard abbreviations in the naming conventions.
 *Kit will upgrade Legacy (See page 17) DP or Gravity units. A ProControl system package must also be ordered to use this kit.

AUXILIARY LIGHTS



AUXILIARY LIGHTS

ITEM	PART NO.	DESCRIPTION	QTY
1	96107893	Kit, Lamp, EIS	1
2	96003010	Flasher	1
3	96107984	Light, Assembly, RH, EIS	1
4	96107986	Harness, Plow Light, RH, EIS	1
5	96100514	Lamp, Sealed Beam	2
6	96107985	Harness, Plow Light, LH, EIS.....	1
7	96107983	Light, Assembly, LH, EIS.....	1
8	96106693	Gasket, Turn Signal.....	2
9	96003060	Lamp, Park & Turn	2
10	96106692	Lens, Turn Signal	2
11	96107894	Harness, Wiring, Main Light, EIS*	1
12	96108030	Assy., Light Bar	1
13	98009009	Nut, Hex., Nylock, 3/8"-16.....	10
14	97100882	Decal, Sno-Way	1
15	98009022	Capscrew, Hex., 3/8"-16 x 1"	10
16	96100440	Clip, Rosebud.....	4
17	96106988	Support, LH, 22 Series	1
18	96107550	Assembly, Light/Lift Bar, Quick-Attach	1
19	98009032	Washer, Flat, 3/8".....	6
20	96106989	Support, RH, 22 Series.....	1
21	96108116	Connector, Male.....	2
22	96108117	Connector, Female.....	2
23	96108600	Clip, Secondary Lock	2

* NOTE: Adapter required. See Application Guide

NUMERICAL INDEX

PART NO.	PAGE	ITEM	PART NO.	PAGE	ITEM	PART NO.	PAGE	ITEM
96001191	6	12		12	3		13	1
96001227	16	9	96105278	4	29	96106894	4	27
	17	11	96105282	16	14		14	1
	18	4	96105284	17	9	96106903	5	66
96002086	16	13	96105299	17	20	96106958	4	16
96003010	20	2	96105300	17	8	96106986	4	46
96003060	20	9	96105313	10	20	96106988	20	17
96100001	7	3		12	22	96106989	20	20
	8	3	96105314	10	19	96107128	4	9
96100440	20	16		12	23	96107130	4	11
96100514	20	5	96105315	10	21	96107354	17	18
96101257	6	17		12	24	96107355	17	18
96101891	4	38	96105316	10	22	96107356	17	19
96101976	12	18		12	25	96107382	17	23
96102168	4	32	96105317	10	18	96107463	6	18
96102781	5	64		12	26	96107512	4	53
96102891	16	7	96105318	10	31	96107514	7	1
96104221	16	1		12	35	96107515	8	1
96104230	16	2	96105325	17	24	96107550	4	5A
96104893	17	10	96105370	17	5		20	18
96105081	17	7	96105404	17	25	96107710	5	55
96105082	16	8	96105416	17	13	96107711	4	40
96105084	17	1	96105417	17	21	96107734	17	1
96105101	17	12	96105418	17	4	96107769	4	29
96105131	17	6	96105419	17	15	96107793	6	4
96105167	16	4	96105420	17	16	96107794	6	4
96105231	10	30	96105422	10	11	96107795	6	4
	12	33		12	16	96107796	6	6
96105232	10	17	96105487	17	2	96107797	6	6
	12	21	96105708	17	17	96107798	6	6
96105234	10	10	96105709	17	3	96107803	10	23
	12	15	96105710	17	14		12	27
96105237	10	9	96105877	17	26	96107806	13	2
	12	9	96106069	7	2	96107807	13	3
96105238	12	10		8	2	96107808	14	2
96105240	12	14	96106070	7	4	96107809	14	3
96105241	10	28		8	4	96107810	15	2
	12	31	96106071	7	5	96107811	15	3
96105243	10	14		8	5	96107893	20	1
	12	17	96106073	4	1	96107894	20	11
96105244	10	29	96106273	10	2	96107983	20	7
	12	32		12	2	96107984	20	3
96105245	10	27	96106391	5	60	96107985	20	6
	12	30	96106472	17	23	96107986	20	4
96105246	10	26	96106533	17	22	96108011	6	9
	12	29	96106605	4	39	96108012	6	9
96105249	10	25	96106692	20	10	96108013	6	9
	12	34	96106693	20	8	96108030	20	12
96105250	10	12	96106696	6	1	96108116	20	21
	12	12	96106802	10	15	96108117	20	22
96105251	10	13		12	19	96108247	17	6
	12	13	96106803	10	32	96108323	10	6
96105253	12	11		12	36		12	6
96105273	16	3	96106884	4	24	96108324	10	5
96105274	10	6	96106885	4	18		12	5
	12	6	96106889	5	65	96108325	10	8
96105275	10	3	96106893	4	27		12	8

NUMERICAL INDEX

PART NO.	PAGE	ITEM	PART NO.	PAGE	ITEM	PART NO.	PAGE	ITEM
96108338	5	59	98009013	4	20			
96108341	10	4	98009022	5	70			
	12	4		20	15			
96108342	10	7	98009027	4	36			
	12	7	98009030	5	61			
96108600	20	23	98009032	4	41			
96108627	10	11		20	19			
	12	16	98009038	4	17			
96108661	18	10	98009061	6	8			
96108662	18	9	98009077	6	11			
96108875	4	7	98009078	5	63			
96108877	5	56	98009085	4	15			
96109014	4	5	98009114	4	34			
96109142	16	6	98009127	6	14			
96109143	16	5	98009150	7	7			
96109928	4	16		8	7			
96110393	4	23	98009169	6	15			
96110515	4	8	98009197	4	28			
96110951	4	52	98019176	5	68			
	15	1	98019230	5	69			
96111171	10	33	98100010	4	25			
	12	37	98100037	16	10			
96111172	15	2	98100172	4	19			
96111173	15	3	98100176	4	22			
96112193	18	7	98100251	4	33			
96112244	18	3	98100254	4	37			
96112246	18	3		16	12			
96112259	18	1	98100255	4	50			
96112260	18	5		16	15			
96112300	18	9	98100264	7	6			
96112301	18	10		8	6			
96112419	18	8	98100266	5	67			
96112496	18	11	98100312	4	10			
96112840	18	15	98100313	4	12			
96112871	18	14	98100320	5	62			
96112872	18	13	98100322	4	47			
96112913	18	6	98100323	5	71			
96112915	18	5	98100324	4	54			
96112931	18	12	98100326	4	14			
96112955	18	16	98100340	5	57			
97100001	4	51	98100341	4	26			
97100005	4	35	98100390	4	21			
97100018	6	3	98100391	16	11			
97100400	4	6	98100463	18	2			
97100750	4	2	99100490	6	16			
97100752	4	2	99100953	5	72			
97100876	4	48						
97100882	20	14						
97100912	6	5						
97100986	4	3						
97101087	4	4						
97101582	4	2						
	18	17						
98009008	6	10						
98009009	4	49						
	6	7						
	20	13						

SNO-WAY[®] INTERNATIONAL, INC.

SNO-WAY[®]
SNOW & ICE CONTROL EQUIPMENT

Hartford, WI 53027 USA
Website: www.snoway.com
©2009 Sno-Way[®] International