

# **SNO-WAY<sup>®</sup>**

**SNOW & ICE CONTROL EQUIPMENT**

## **SERVICE PARTS MANUAL**

**28V SERIES SNOW PLOWS**  
**FOR PLOW SERIAL NUMBERS AFTER**  
**28VG100000**  
**28VD100000**



# TABLE OF CONTENTS

	Page
PARTS LIST INTRODUCTION.....	2
POWER PACK FRAME.....	3
POWER PACK FRAME (CONT.) .....	5
BLADES.....	7
DEFLECTORS .....	9
ANGLE CYLINDERS .....	10
LIFT CYLINDER - DP .....	11
LIFT CYLINDER - GRAVITY .....	12
HYDRAULIC SYSTEM - DP.....	13
HYDRAULIC SYSTEM - GRAVITY .....	14
HYDRAULIC POWER UNIT - DP AND GRAVITY .....	15
HYDRAULIC POWER UNIT - DP (CONT.) .....	17
HYDRAULIC POWER UNIT - GRAVITY (CONT.).....	19
POWER PACK WIRING .....	21
CONTROL SYSTEM WIRING.....	22
AUXILIARY LIGHTS - S.N. : 28VD100000 - 28VD100301, 28VG100000 - 28VG100099 .....	23
AUXILIARY LIGHTS - S.N. AFTER: 28VD100302, 28VG100100 .....	25
NUMERICAL INDEX .....	27

# PARTS LIST INTRODUCTION

Our dealership network stands by to provide you with any assistance you may require, including genuine Sno-Way service parts. All parts should be obtained from or ordered through your dealer. Give complete information about the part as well as the Model Number and Serial Number of your machine.

Record the Serial Number in the space provided in your Owner's Manual for quick reference. The Serial Number for the unit is on a plate located on the left frame gusset of the Hopper Frame.

"Right" and "Left" are determined from a position sitting on the Operators Seat of the vehicle.

We reserve the right to make changes or improvements in the design or construction of any part without incurring the obligation to install such changes in any unit previously delivered.

## USING THIS PARTS LIST

Below is parts listing with four columns. The first column is the "ITEM", the second is the "PART NUMBER", The third is the "DESCRIPTION" and the fourth is the "QUANTITY".

The **"ITEM"** is the number used in the corresponding illustration.

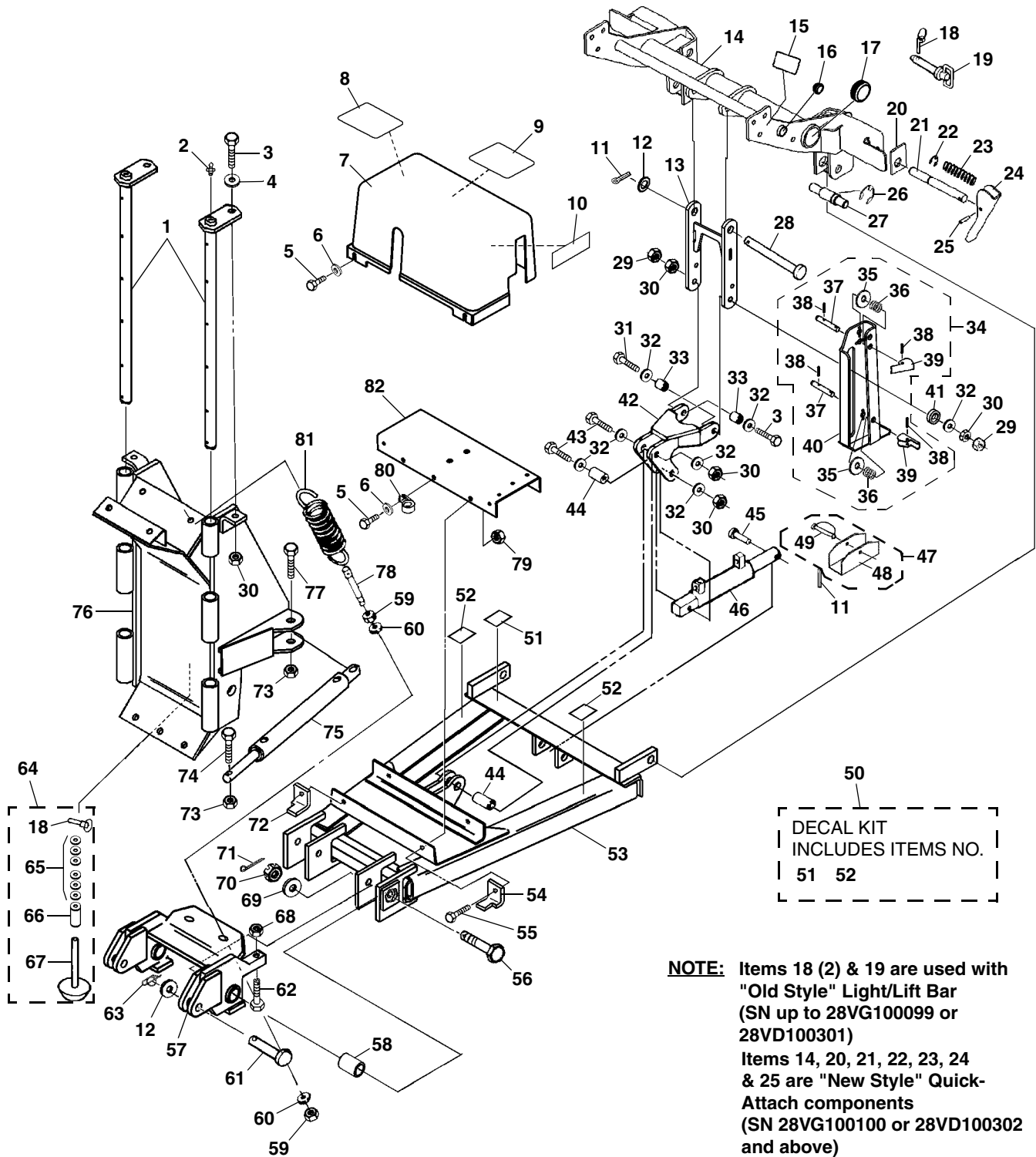
The **"PART NO."** Is the number used to order replacement parts. If a number does not appear in the column the part is only available by ordering the complete assembly.

The **"DESCRIPTION"** is the name of the replacement part. At times the name may be indented, this means that the indented parts are part of the preceding assembly.

The **"QTY."** Is the quantity needed to service the assembly illustrated, not the complete product.

ITEM	PART NO.	DESCRIPTION	QTY.
1	96100083	O-ring	1
2	96001529	Elbow	3
3	98100036	Capscrew, Hex.,3/8"-16NC x 7/8"	9

# POWER PACK FRAME

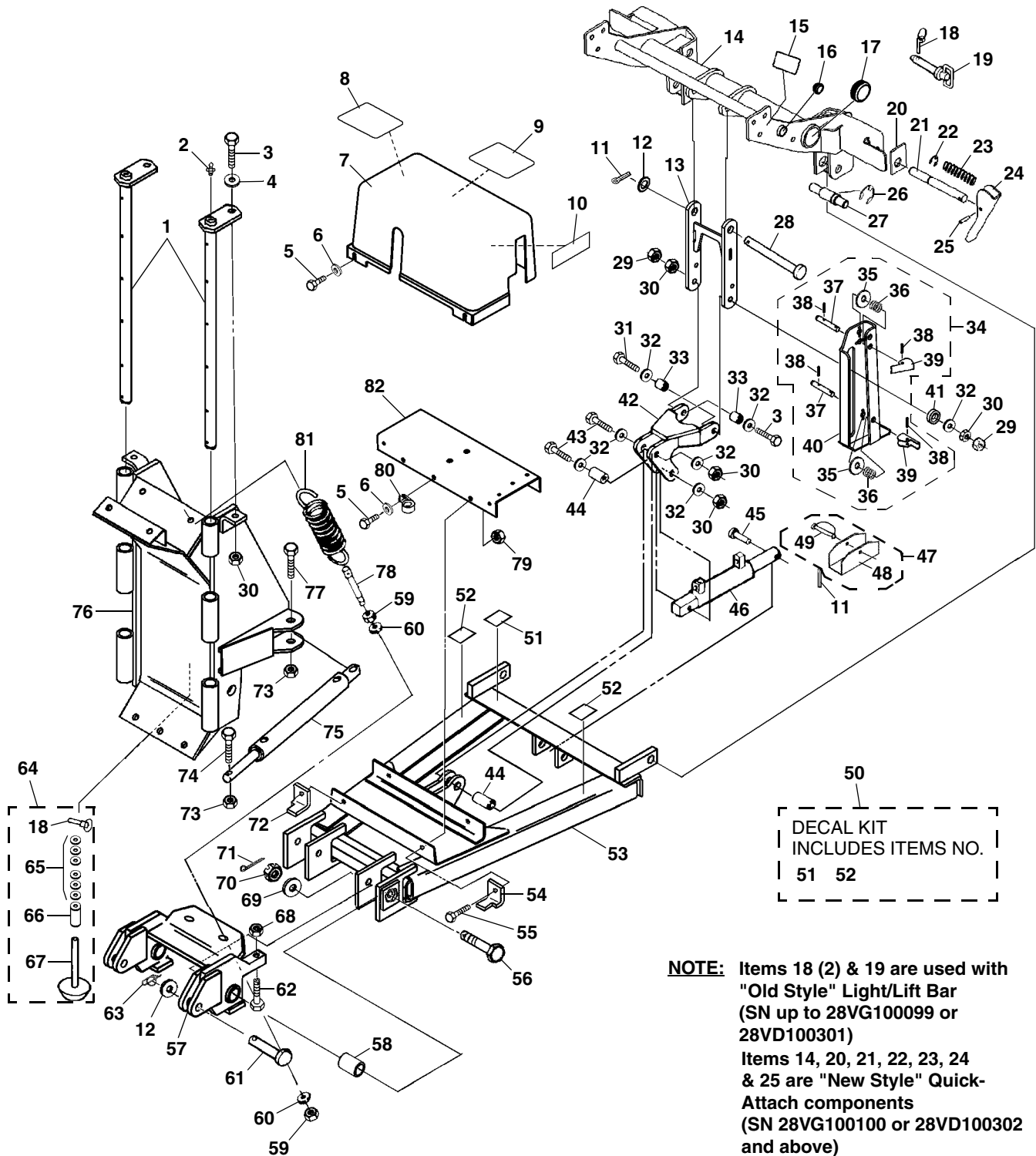


**NOTE:** Items 18 (2) & 19 are used with "Old Style" Light/Lift Bar (SN up to 28VG100099 or 28VD100301)  
 Items 14, 20, 21, 22, 23, 24 & 25 are "New Style" Quick-Attach components (SN 28VG100100 or 28VD100302 and above)

# POWER PACK FRAME

ITEM	PART NO.	DESCRIPTION	QTY
1	96101833	Pin, Pivot .....	2
2	98100098	Zerk, 1/8"NPT .....	2
3	98100010	Cap Screw, Hex, 1/2"-13 x 2" .....	3
4	98009011	Washer, Flat, 1/2" .....	2
5	98019176	Screw, Flanged Head, Self-Tapping, Black, 5/16" x 1" .....	3
6	98019230	Washer, Plain, 5/16", Black .....	3
7	96105007	Cover, Pump, DP .....	1
	96106743	Cover, Pump, Gravity.....	1
8	97100907	Decal, Mounting.....	1
9	97100751	Decal, V-Plow System .....	1
10	97101087	Decal, Warning, Cover Removal.....	1
11	98009085	Pin, Cotter, 5/32" x 1-1/2" .....	2
12	98009030	Washer, Flat, 3/4" .....	3
13	96105621	Link, Lift .....	1
14	96107125	Light/Lift Bar, Quick-Attach .....	1
	96107400	Assembly, Light/Lift Bar, QA (incl. items 34, 20, 21, 22, 23, 24).....	1
15	97100400	Decal, Warning .....	1
16	96108874	End Cap, 1" .....	2
17	96108873	End Cap, 2-1/4" .....	2
18	98009169	Pin, Lynch, 1/4" x 1-9/16" (2 used with "Old Style" Light/Lift Bar) .....	3
19	96105046	Pin, Hitch, 3/4" x 2-1/2" (used with "Old Style" Light/Lift Bar).....	2
20	96107329	Plate, Bearing, Polyethylene.....	2
21	96107128	Pin, Quick-Tatch .....	2
22	98100312	E-Ring.....	2
23	96107130	Spring, SS .....	2
24	96109013	Handle, Quick-Release.....	2
25	98100313	Pin, Roll, 1/4" x 1-3/8" SS.....	2
26	98100300	E-Ring, 1" .....	2
27	96106144	Pin, Quick Hitch .....	2
28	98100290	Pin, Clevis, 3/4" x 6" .....	1
29	98100172	Nut, Hex, Jam, 1/2"-13 .....	2
30	98009013	Nut, Nylock, 1/2"-13.....	6
31	98100062	Cap Screw, Hex, 1/2"-13 x 2-1/4" .....	1
32	98100176	Washer, Special, Hardened .....	7
33	96102271	Spacer, Lift Link.....	2
34	96107346	Jackstand Assembly, 28V .....	1
	96107711	Kit, Jackstand Hardware (includes one ea. items 35, 36, 37, 39, two item 38).....	2
35	98009032	Washer, 3/8" .....	2
36		Spring, Latch .....	2
37		Pin, Latch.....	2
38		Roll Pin, 5/32" x 7/8".....	4
39		Cam, Jackstand.....	2
40	96105959	Jackstand .....	1
41	96102168	Spacer, Stand.....	1
42	96102927	Bellcrank.....	1
43	98009036	Cap Screw, Hex, 1/2"-13 x 3-1/2" .....	2
44	96102227	Spacer, Bellcrank.....	2
45	98100007	Pin, Clevis, 3/4" x 4" .....	1

# POWER PACK FRAME (CONTINUED)

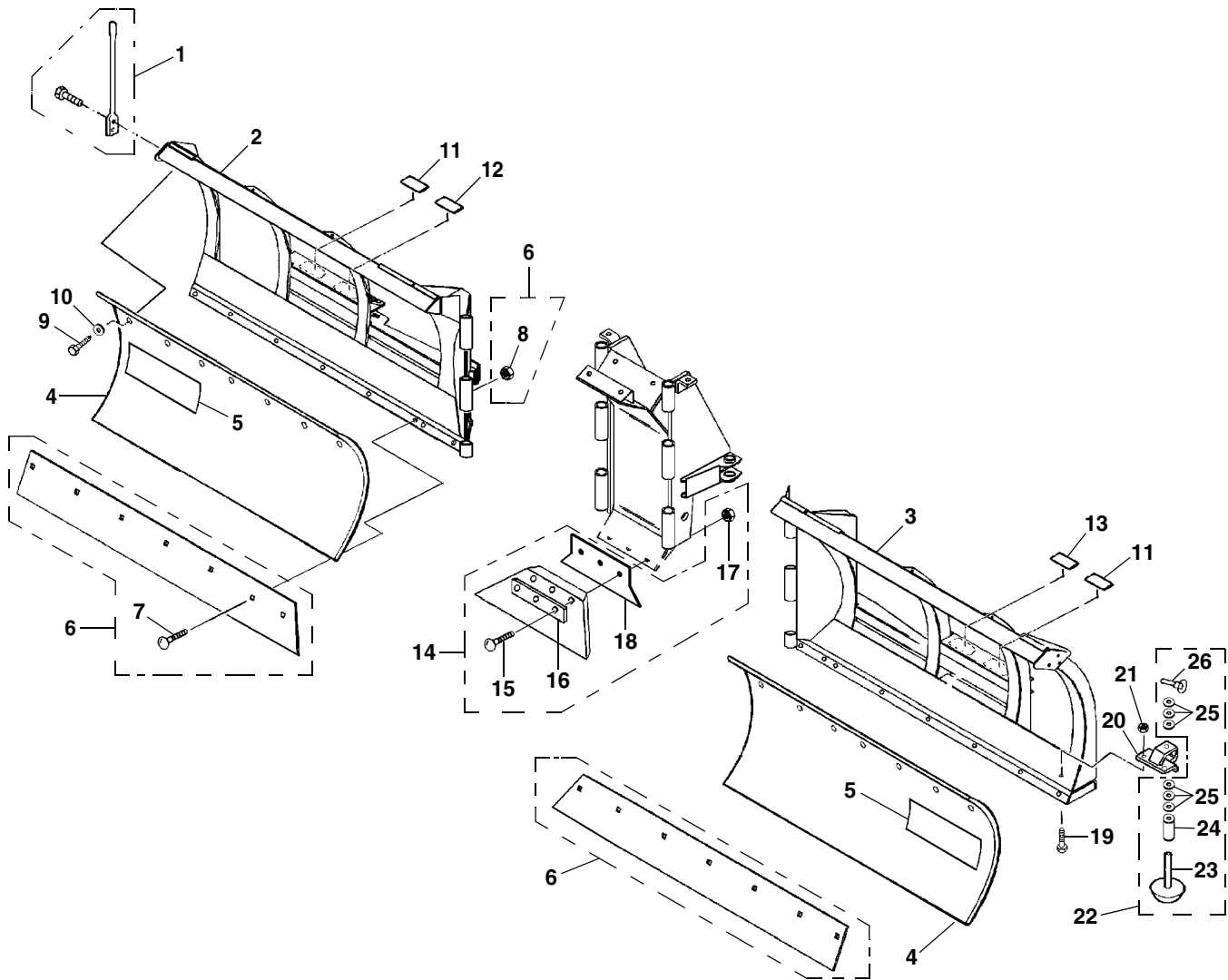


**NOTE:** Items 18 (2) & 19 are used with "Old Style" Light/Lift Bar (SN up to 28VG100099 or 28VD100301)  
 Items 14, 20, 21, 22, 23, 24 & 25 are "New Style" Quick-Attach components (SN 28VG100100 or 28VD100302 and above)

# POWER PACK FRAME (CONTINUED)

ITEM	PART NO.	DESCRIPTION	QTY
46	96100085	Cylinder, Raise, DP (see detail on page 11).....	1
	96108017	Cylinder, Raise, Gravity (see detail on page 12) .....	1
47	96108322	Ass'y, Cylinder Lock Clamp, DP .....	1
	96108321	Ass'y, Cylinder Lock Clamp, Gravity .....	1
48		Cylinder Lock Clamp .....	1
49		Pin, Wire Lock .....	1
50	96102370	Decal Kit .....	1
51	97100005	Decal, Patent .....	1
52	97100004	Decal, Important.....	2
53	96107272	Frame, Main.....	1
54	96102916	Plate, Wear, L.H. ....	1
55	98009034	Cap Screw, Hex, 3/8"-16 x 1-1/4" .....	4
56	98100169	Screw, Special Pivot .....	2
57	96103000	Frame, Pivot, With Bushings .....	1
58	96102832	Bushing.....	2
59	98009078	Nut, 5/8"-11 .....	4
60	98009039	Washer, Flat, 5/8" .....	4
61	98100165	Pin, Clevis, 3/4" x 2-1/2" .....	2
62	98100164	Screw, Special .....	2
63	98100099	Pin, Special.....	2
64	96102542	Shoe Assembly (includes (1) 1/4" Lynch Pin, #18).....	1
65	98009005	Washer, Flat, 1" .....	14
66		Spacer, 1" .....	1
67		Shoe, Cast, 1" Shaft .....	1
68	98100157	Nut, Hex, Jam, 5/8"-11 .....	2
69	98100170	Washer, Special.....	2
70	98009068	Nut, Slotted, 1"-14 .....	2
71	98009069	Pin, Cotter, 5/32" x 2" .....	2
72	96102915	Plate, Wear, R.H. ....	1
73	98009038	Nut, Nylock, 5/8"-11.....	4
74	98009194	Cap Screw, Hex, 5/8"-11 x 4" .....	2
75	96101977	Cylinder, Angle (see detail on page 10).....	2
76	96105260	Frame, Blade Center .....	1
77	98009042	Cap Screw, Hex, 5/8"-11 x 3-1/2" .....	2
78	96102781	Eyebolt.....	2
79	98009009	Nut, Nylock, 3/8"-16.....	4
80	96001531	Clamp, Tube.....	1
81	96001392	Spring, Trip .....	2
82	96105330	Platform, Pump.....	1

# BLADES

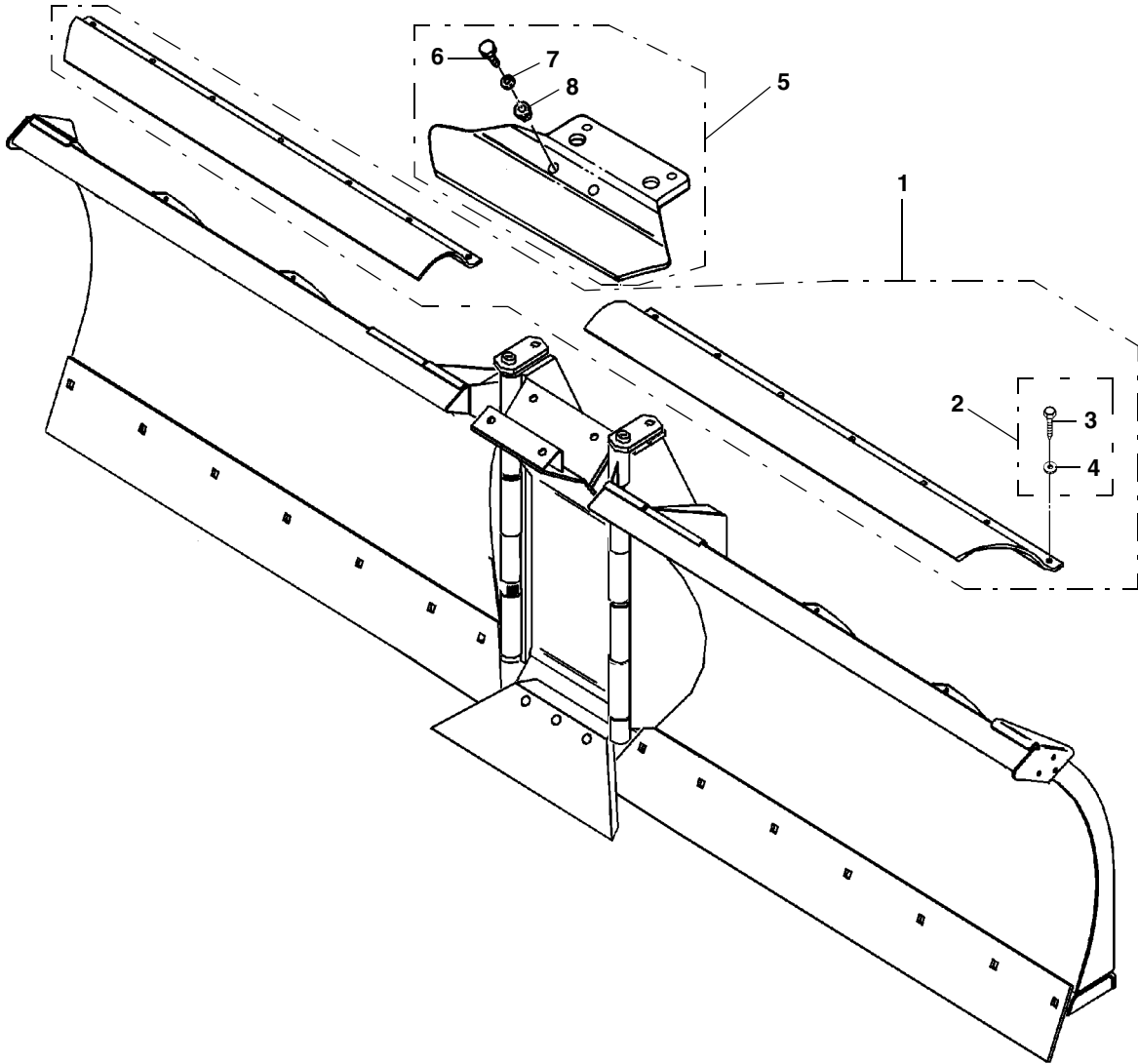


# BLADES

ITEM	PART NO.	DESCRIPTION	QTY
1	96106696	Kit, Guide, Blade (Includes 2 Guides And Mtg. Hdwr.).....	1
2		Frame, 99", RH .....	1
		Frame, 109", RH.....	1
3		Frame, 99", LH .....	1
		Frame, 109", LH .....	1
4	96107342	Kit, Skin, Steel, 8'3" (Bolt On Style) w/ Decal .....	2
	96107343	Kit, Skin, Steel, 9'1" ((Bolt On Style) w/ Decal.....	2
	96107344	Kit, Skin, SS, 8'3" (Bolt On Style) w/ Decal .....	2
	96107345	Kit, Skin, SS, 9'1" (Bolt On Style) w/ Decal .....	2
	96106108	Kit, Polycarbonate Skin, 8'3" w/ HDE .....	1
	96106109	Kit, Polycarbonate Skin, 8'3" w/o HDE .....	2
	96106110	Kit, Polycarbonate Skin, 9'1" w/ HDE .....	1
	96106111	Kit, Polycarbonate Skin, 9'1" w/o HDE .....	2
5	97100911	Decal, Sno-Way, Steel.....	2
	97100912	Decal, Sno-Way, Polycarbonate .....	2
6	96103891	Wearstrip Kit, Steel, 99" (Includes Mtg. Hdwr.) .....	2
	96103892	Wearstrip Kit, Steel, 109" (Includes Mtg. Hdwr.) .....	2
		NOTE: Each Wearstrip Kit will replace Wearstrip on one Wing only. To replace Wearstrips on both Wings, two Kits are required.	
7	98009171	Bolt, Carriage, Gr. 5, 1/2"-13 x 1-1/2" .....	14
8	98009013	Nut, Nylock, 1/2" - 13.....	14
9	98019176	Screw, Self Tapping .....	8
10	98019230	Washer, Flat, 5/16" .....	8
11	97100018	Decal, Warning .....	2
12	97100006	Decal, Important.....	1
13	97100001	Decal, Warning .....	1
14	96106033	Wearstrip Kit, Center, Urethane (includes Mtg. Hdwr.).....	1
15	98100351	Bolt, Carriage, Gr. 5, 7/16"-14 x 2-1/4" .....	3
16		Strip, Mounting .....	1
17	98009050	Nut, Nylock 7/16"-14.....	3
18	96108604	Backing Plate.....	1
19	98009034	Cap Screw, Hex., 3/8"-16 x 1-1/4" .....	8
20	96101401	Bracket, Shoe .....	2
21	98009009	Nut, Nylock, 3/8"-16.....	8
22	96102542	Assembly, Shoe .....	2
23		Shoe, Cast, 1" Shaft.....	1
24		Spacer, 1" .....	1
25		Washer, Flat, 1" .....	14
26		Pin, Lynch, 1/4" x 1-9/16" .....	1
*27	96105978	Single Retainer, Polycarbonate Skin, 8'3" .....	2
*28	96105979	Single Retainer, Polycarbonate Skin, 9'1" .....	2

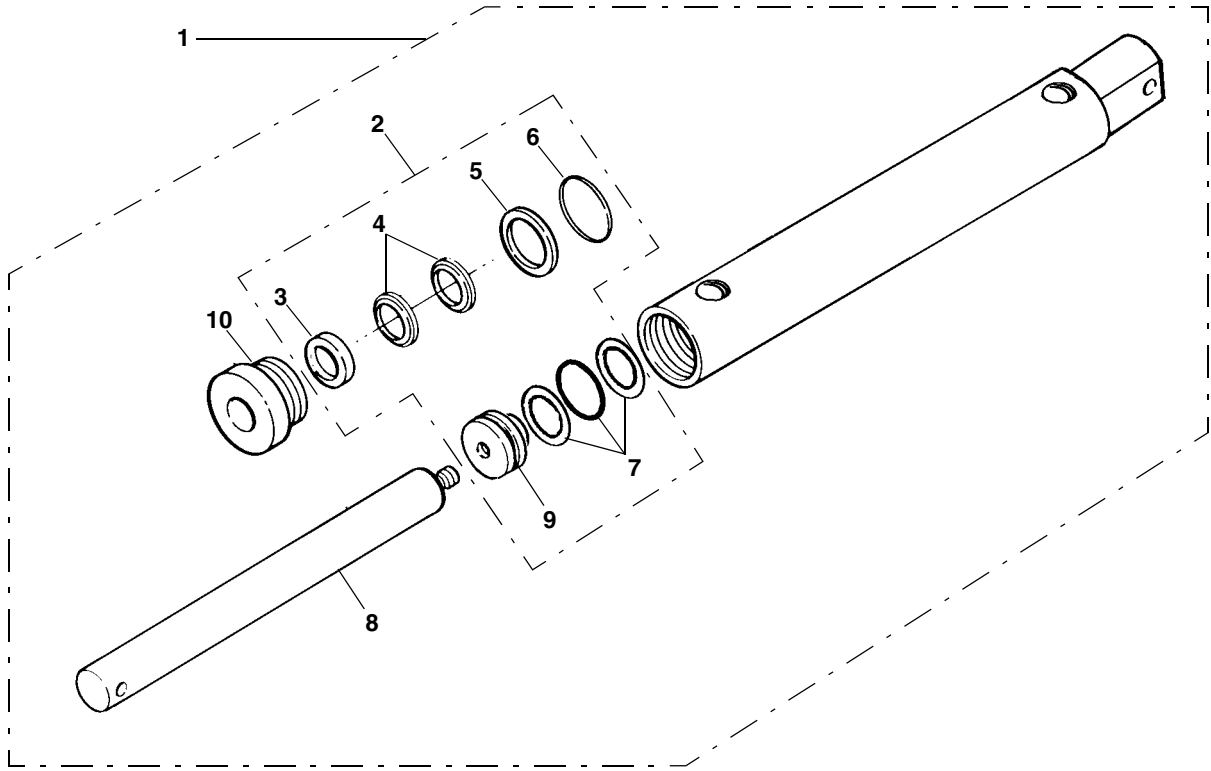
\* NOT SHOWN

# DEFLECTORS



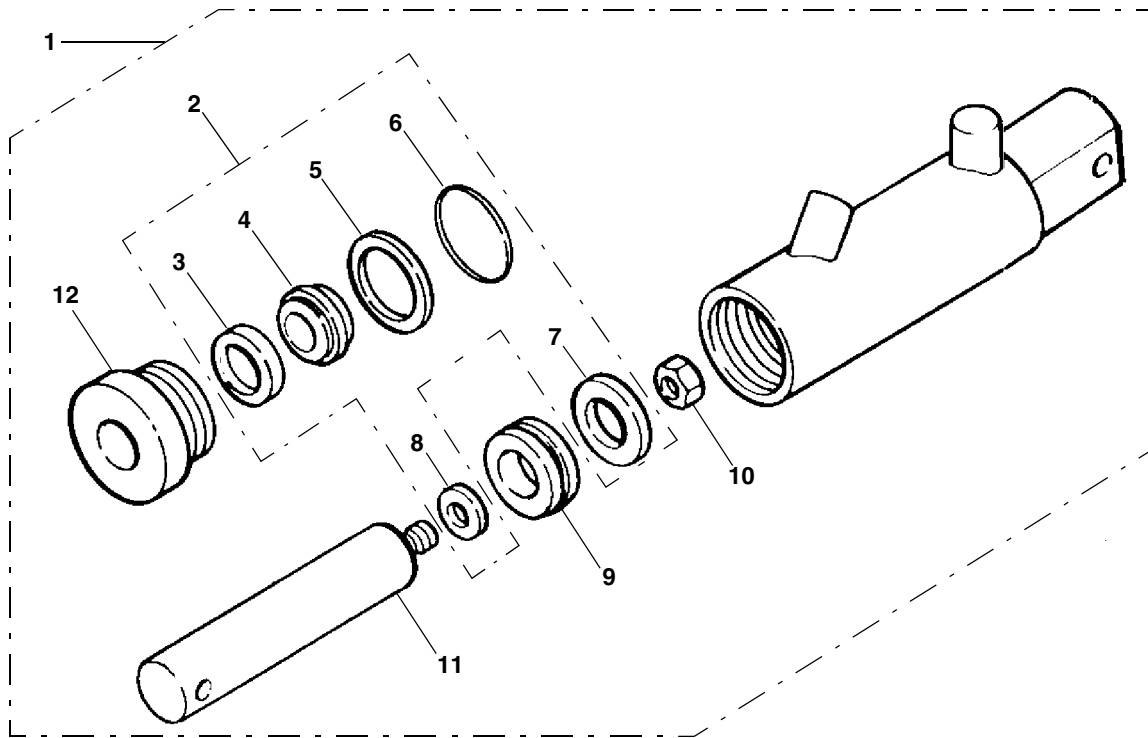
ITEM	PART NO.	DESCRIPTION	QTY
1	96102605	Wing Deflector Kit (99" Plow)(Includes Mtg. Hdwr.).....	1
	96102606	Wing Deflector Kit(109" Plow)(Includes Mtg. Hdwr.).....	1
2	96102482	HARDWARE KIT (Wing Deflectors).....	1
3	98019176	Screw, Self Tapping, 5/16" x 1" .....	14
4	98019230	Washer, Plain, 5/16" .....	14
5	96102604	Deflector, Center, (Includes Mtg. Hdwr.) .....	1
6	98100167	Cap Screw, Hex, 5/16"-18 x 2" .....	2
7	98019230	Washer, Plain 5/16" .....	2
8	96102938	Spacer .....	2

# ANGLE CYLINDERS



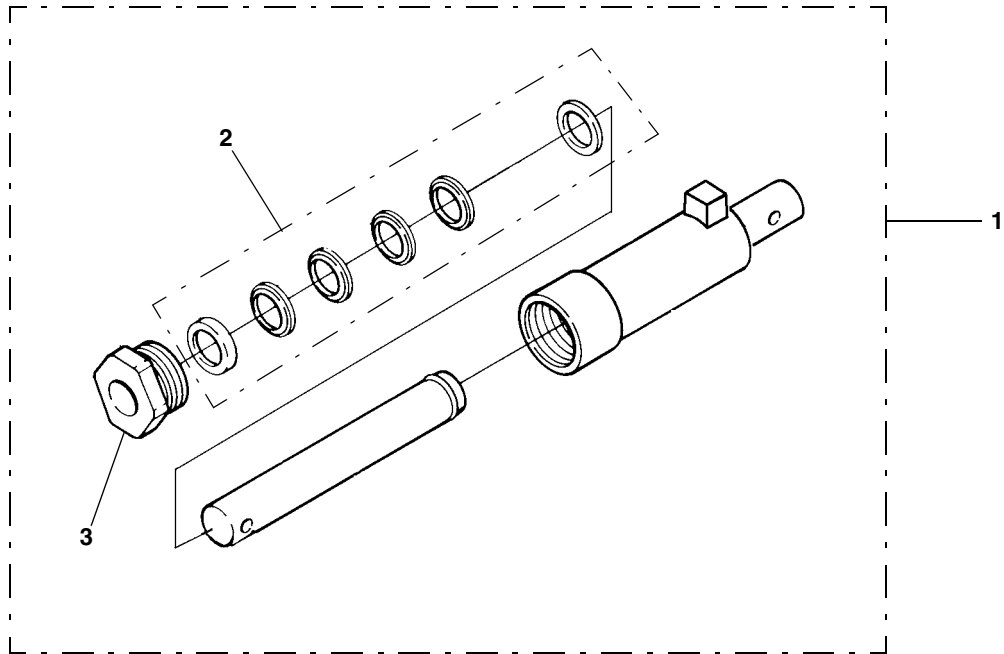
ITEM	PART NO.	DESCRIPTION	QTY
1	96101977	Cylinder, Angle, 2-1/4" .....	2
2	96102537	Kit, Seal 2-1/4" .....	1
3		Wiper, Rod .....	1
4		Seal, Rod.....	1
5		Ring, Back Up .....	1
6		O-Ring .....	1
7		Seal, Piston .....	1
8		Rod, Cylinder .....	1
9		Piston.....	1
10	96102536	Nut, Gland 2-1/4" .....	1

# LIFT CYLINDER - DP



ITEM	PART NO.	DESCRIPTION	QTY
1	96100085	Cylinder, Lift, 2-1/2" .....	1
2	96101516	Kit, Seal.....	1
3		Seal, Wiper .....	1
4		Seal, Rod.....	1
5		Ring, Back-up .....	1
6		Seal, O-ring .....	1
7		Seal, Piston .....	1
8		Seal, O-ring .....	1
9		Piston, 2-1/2".....	1
10		Nut .....	1
11		Rod, Cylinder .....	1
12	96100492	Nut, Gland 2-1/2" .....	1

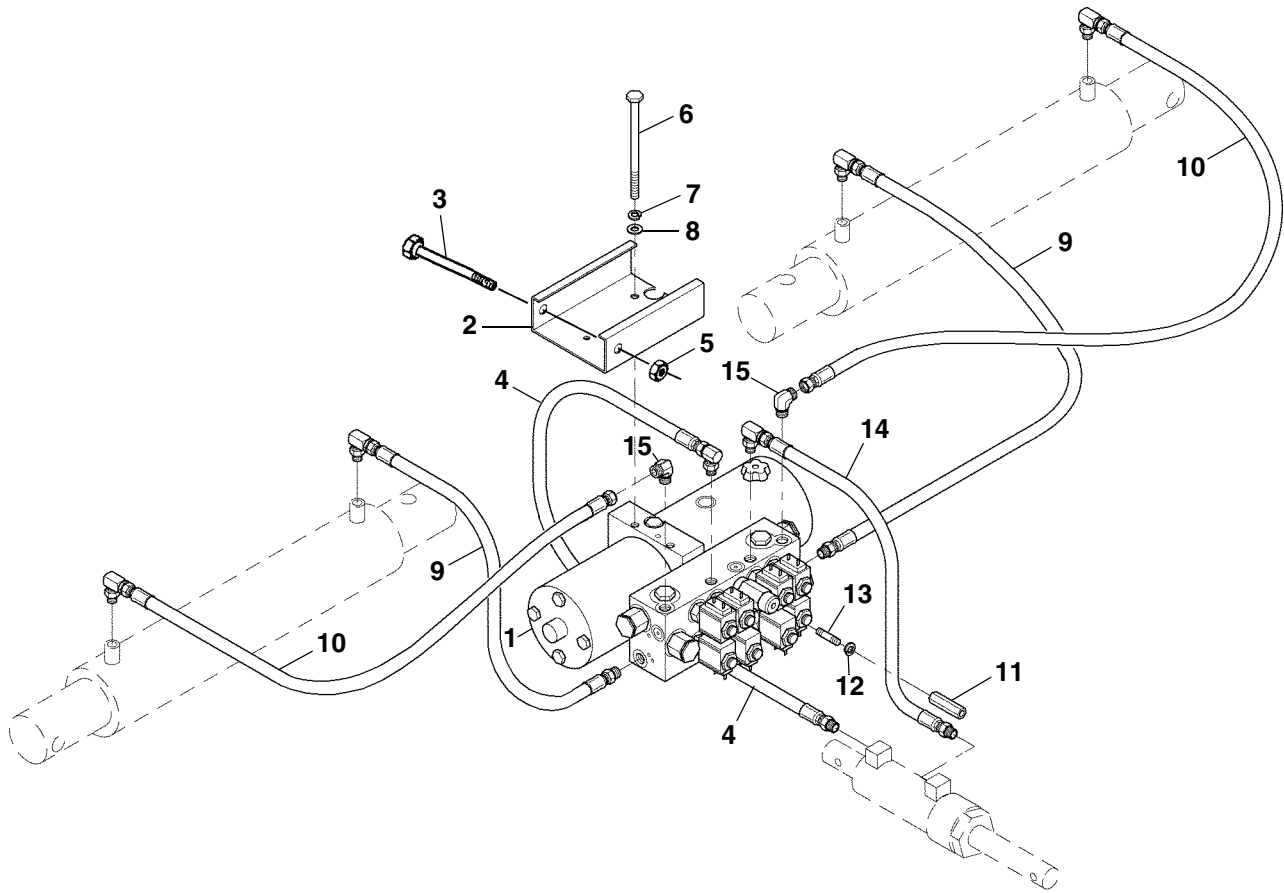
# LIFT CYLINDER - GRAVITY



ITEM	PART NO.	DESCRIPTION	QTY
1	96108017	Cylinder, Lift, 2-1/2" (Single Action) (SN after 28VG100100).....	1
	*See NOTE	Cylinder, Lift, 2" (SN 28VG100000 - 100099) (Order #96108017).....	1
2	96108104	Kit, Seal, 2-1/2" cyl. (SN after 28VG100100).....	1
	96005046	Kit, Seal, 2" cyl. (SN 28VG100000 - 100099).....	1
3	96108105	Nut, Gland, 2-1/2" cyl. (Includes Wiper) (SN after 28VG100100).....	1
	96005100	Nut, Gland, 2" cyl. (Includes Wiper) (SN 28VG100000 - 100099).....	1

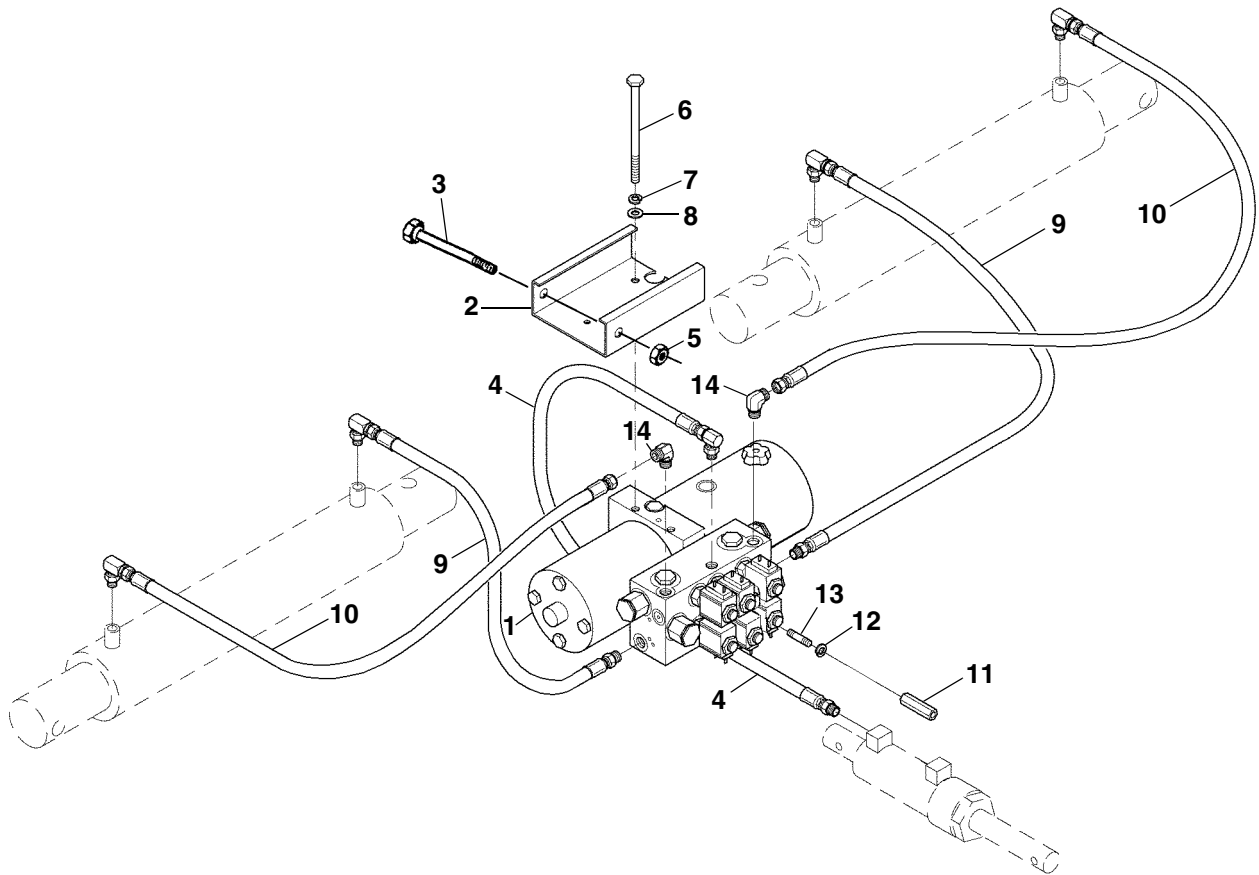
\* NOTE: Original replacement Cylinders are no longer available for SN 28VG100000 - 100099.  
 If a complete Cylinder is needed for those Serial Numbers, upgrade to Cylinder #96108017.  
 Seal Kits and Gland Nuts are available for repair of early cylinders. Note that Seal Kits and Gland Nuts are different for early and late model cylinders and are not interchangeable.

# HYDRAULIC SYSTEM - DP



ITEM	PART NO.	DESCRIPTION	QTY
1	96104161	Power Unit, HTV .....	1
2	96105321	Bracket, Controls .....	1
3	98100266	Hex Head Cap Screw, 1/4"-20 x 5" .....	1
4	96104243	Hose, Hydraulic, 29.50 .....	1
5	98100255	Nut, Nylock, 1/4"-20 .....	1
6	98100276	Hex Head Cap Screw, 3/8"-16 x 6" .....	2
7	98009008	Lock Washer, 3/8" .....	2
8	98009032	Flat Washer, 3/8" .....	2
9	96104246	Hose, Hydraulic, 27.00 .....	2
10	96104247	Hose, Hydraulic, 29.00 .....	2
11	98100278	Standoff, Hex, 5/16"-18 x 2" .....	2
12	98009025	Lock Washer, 5/16" .....	2
13	98100277	Stud, 5/16"-18 x .....	2
14	96104503	Hose, Hydraulic, 15.50 .....	1
15	96100001	Elbow, 90 DEG .....	2

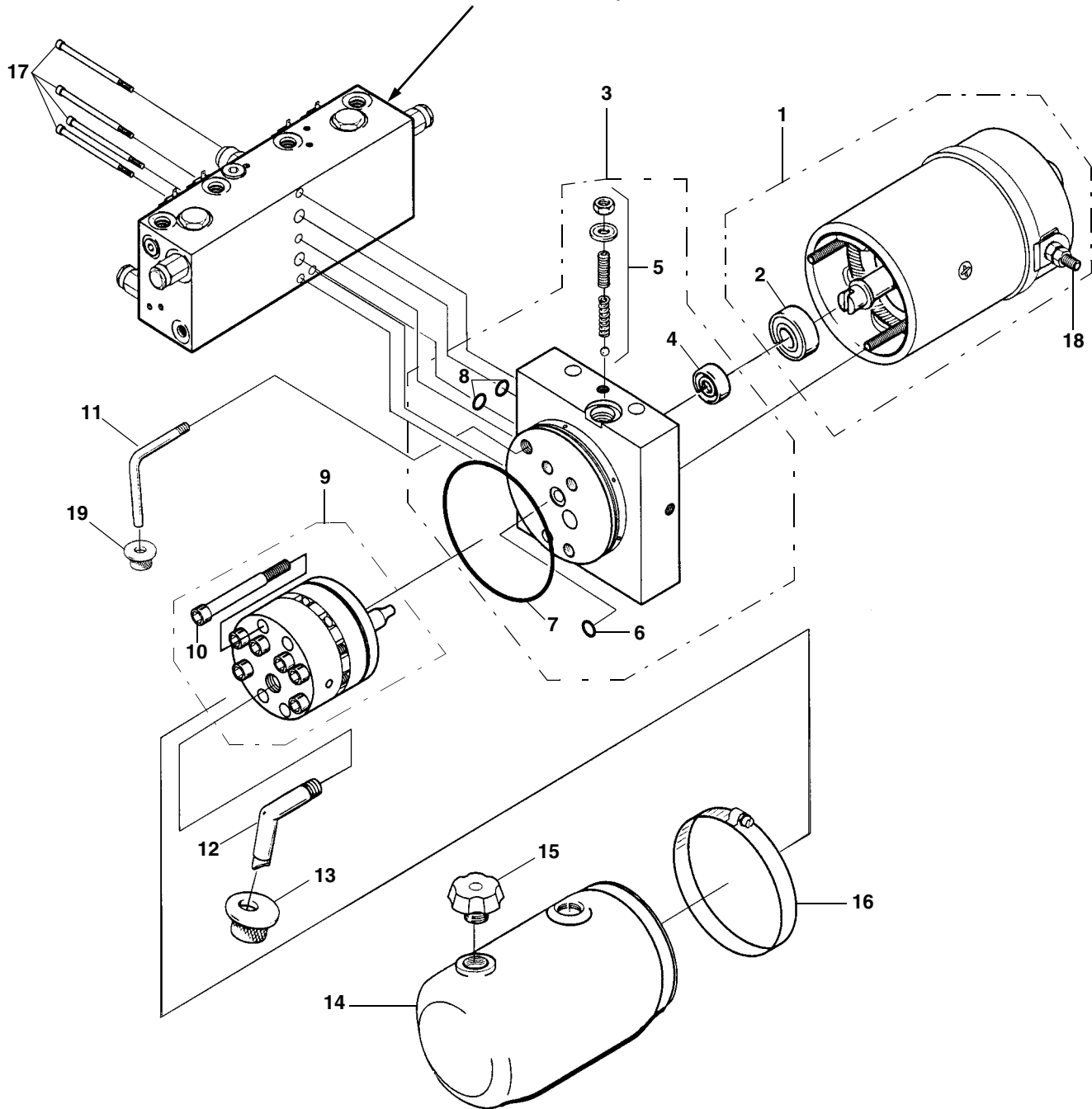
# HYDRAULIC SYSTEM - GRAVITY



ITEM	PART NO.	DESCRIPTION	QTY
1	96106723	Power Unit, HTVG, .....	1
2	96105321	Bracket, Controls .....	1
3	98100266	Hex Head Cap Screw, 1/4"-20 x 5" .....	1
4	96104243	Hose, Hydraulic, 29.50 (O-Ring).....	1
	96106911	Hose, Hydraulic, 29.50 (Pipe-Thread) .....	1
5	98100255	Nut, Nylock, 1/4"-20.....	1
6	98100276	Hex Head Cap Screw, 3/8"-16 x 6" .....	2
7	98009008	Lock Washer, 3/8" .....	2
8	98009032	Flat Washer, 3/8" .....	2
9	96104246	Hose, Hydraulic, 27.00 .....	2
10	96104247	Hose, Hydraulic, 29.00 .....	2
11	98100278	Standoff, Hex, 5/16"-18 x 2" .....	2
12	98009025	Lock Washer, 5/16" .....	2
13	98100277	Stud, 5/16"-18 x .....	2
14	96100001	Elbow, 90 DEG .....	2

# HYDRAULIC POWER UNIT - DP AND GRAVITY

(SEE P. 17 (DP) and 19 (GRAVITY)  
FOR VALVE DETAIL)

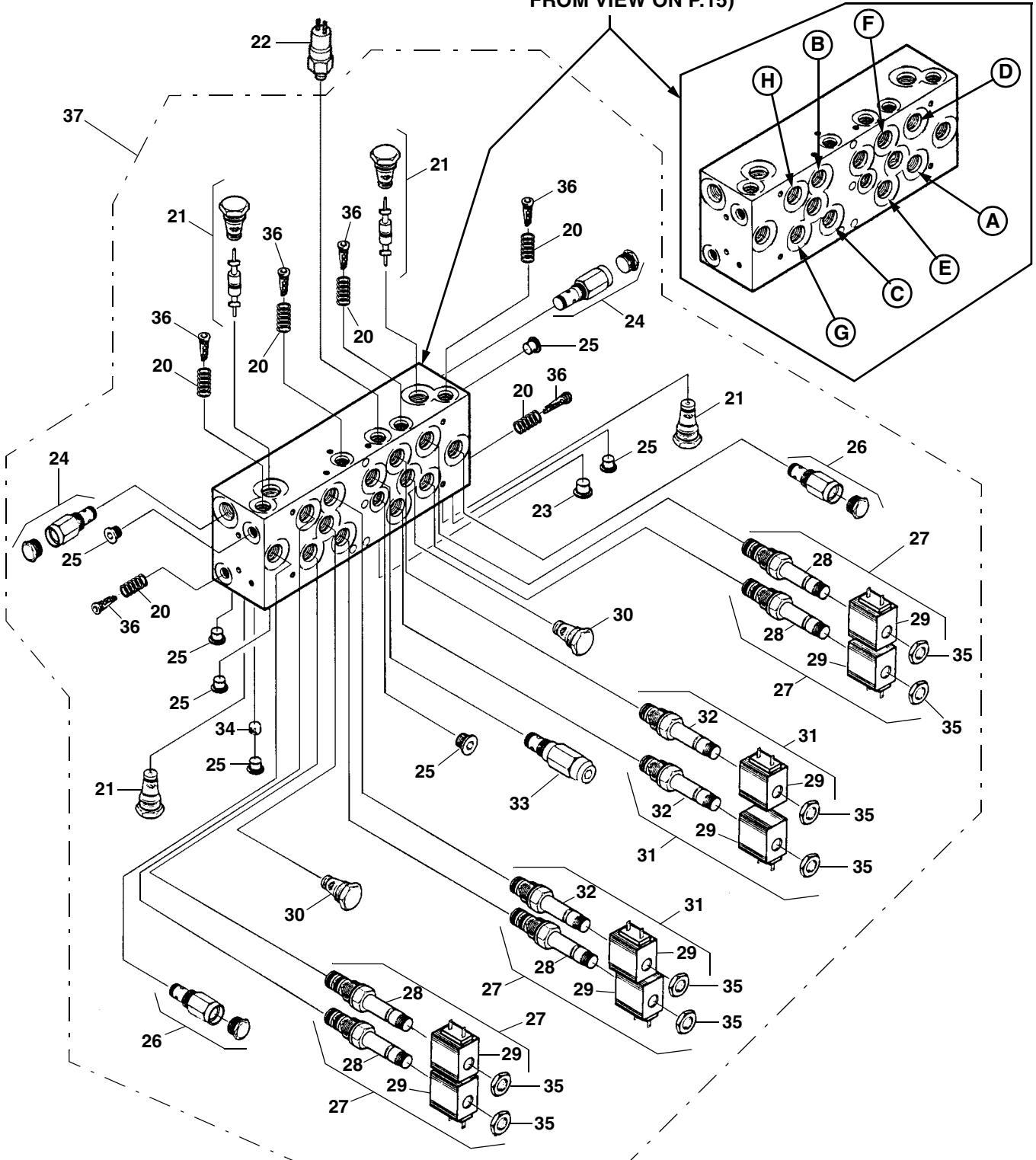


# HYDRAULIC POWER UNIT - DP AND GRAVITY

ITEM	PART NO.	DESCRIPTION	QTY
1	96105233	Motor, 12V DC .....	1
2		Bearing, Motor Base .....	1
3	96105734	Base Ass'y. ....	1
4	96105317	Seal, Shaft, Heavy Duty.....	1
5	96105313	Parts Kit, Relief Valve .....	1
6	96105316	O-Ring .....	1
7	96105315	O-Ring .....	1
8	96105314	O-Ring .....	1
9	96105735	Pump Ass'y., Modular .....	1
10		Screw, Socket Head 1/4"-20 x 3" .....	4
11	96105249	Tube, R.V. Return.....	1
12	96105737	Tube, Suction .....	1
13	96105245	Filter, Suction .....	1
14	96105241	Reservoir .....	1
15	96105244	Filler Cap .....	1
16	96105231	Clamp .....	1
17	96105237	Screw, Socket Head 1/4"-20 x 2-3/4" .....	4
18	96105312	Brush Replacement Kit, HT .....	1
19	96105318	Filter, Return .....	1

# HYDRAULIC POWER UNIT - DP (CONTINUED)

(VALVE ROTATED 180°  
FROM VIEW ON P.15)

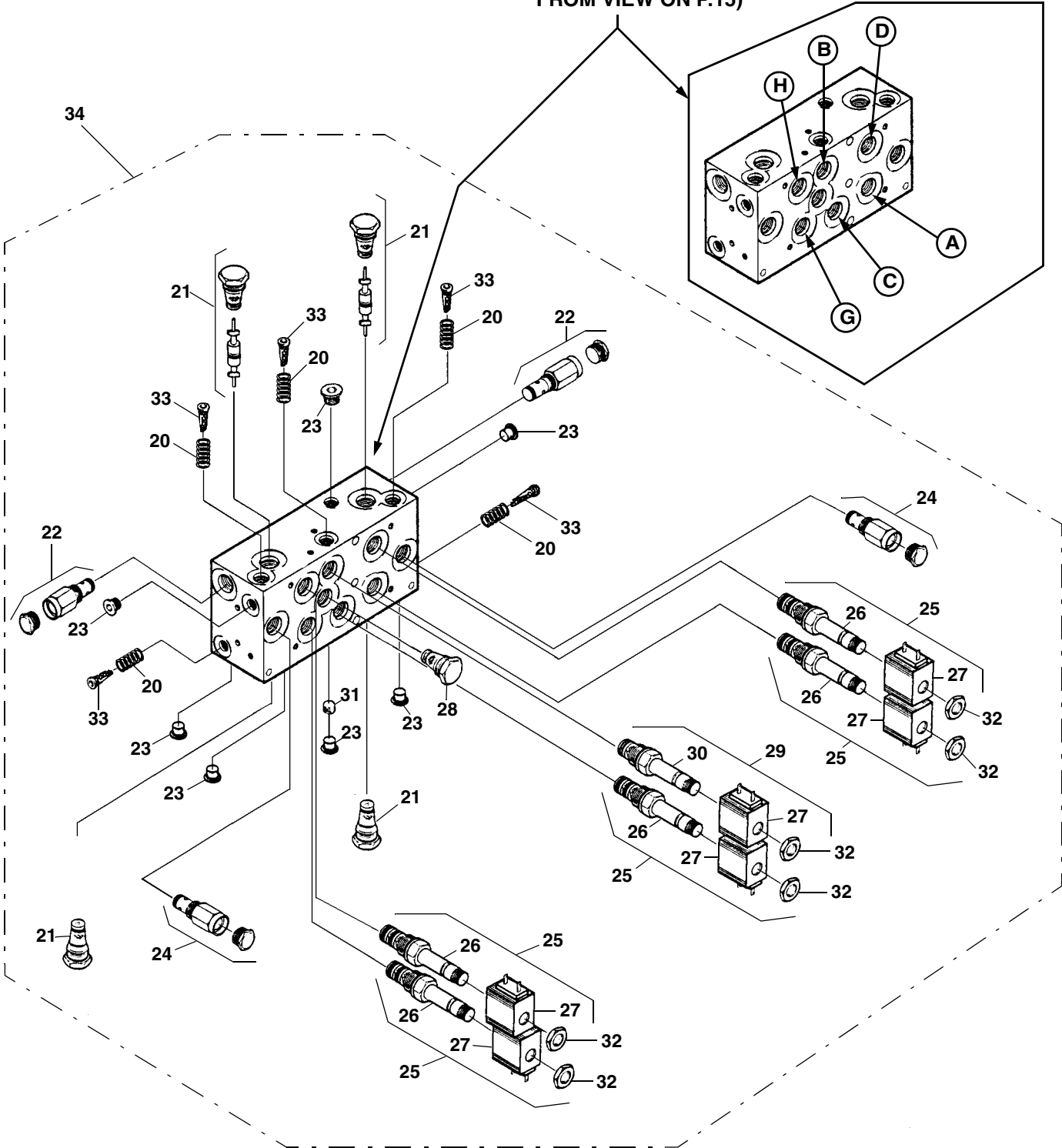


## HYDRAULIC POWER UNIT - DP (CONTINUED)

ITEM	PART NO.	DESCRIPTION	QTY
20	96105251	Spring, Retaining .....	6
21	96109146	Valve, Check and Piston Assy.....	2
22	96102416	Switch, Pressure, 525 PSI .....	1
23	96105240	Fitting, Plug.....	1
24	96105732	Valve, Relief, 2150 PSI .....	2
25	96105234	Fitting, Plug.....	7
26	96105731	Valve, Relief, 1750 PSI .....	2
27		Valve, 10V DC (Red Coil) - Use part 96108341.....	5
	96108341	Valve, 3-Way, 10V DC (Black Coil).....	5
28		Cartridge (Red Coil) - Use part 96108341 .....	5
	96108324	Cartridge, 3-Way (Black Coil).....	5
29	96105274	Coil, 10V DC (Red) .....	8
	96108323	Coil, 10V DC (Black) .....	8
30	96105238	Valve, Check .....	2
31		Valve, 10V DC (Red Coil) - Use part 96108342.....	3
	96108342	Valve, 2-Way, 10V DC (Black Coil).....	3
32		Cartridge (Red Coil) - Use part 96108342.....	3
	96108325	Cartridge, 2-Way (Black Coil).....	3
33	96105239	Valve, Relief, 680-720 PSI .....	1
34	96105733	Fitting, Orifice.....	1
	96108627	Kit, Orifice Fitting.....	1
35	96105275	Nut, Coil Retaining .....	8
36	96105250	Filter, Inline.....	6
37		Valve Ass'y., 12V DC .....	1

# HYDRAULIC POWER UNIT - GRAVITY (CONTINUED)

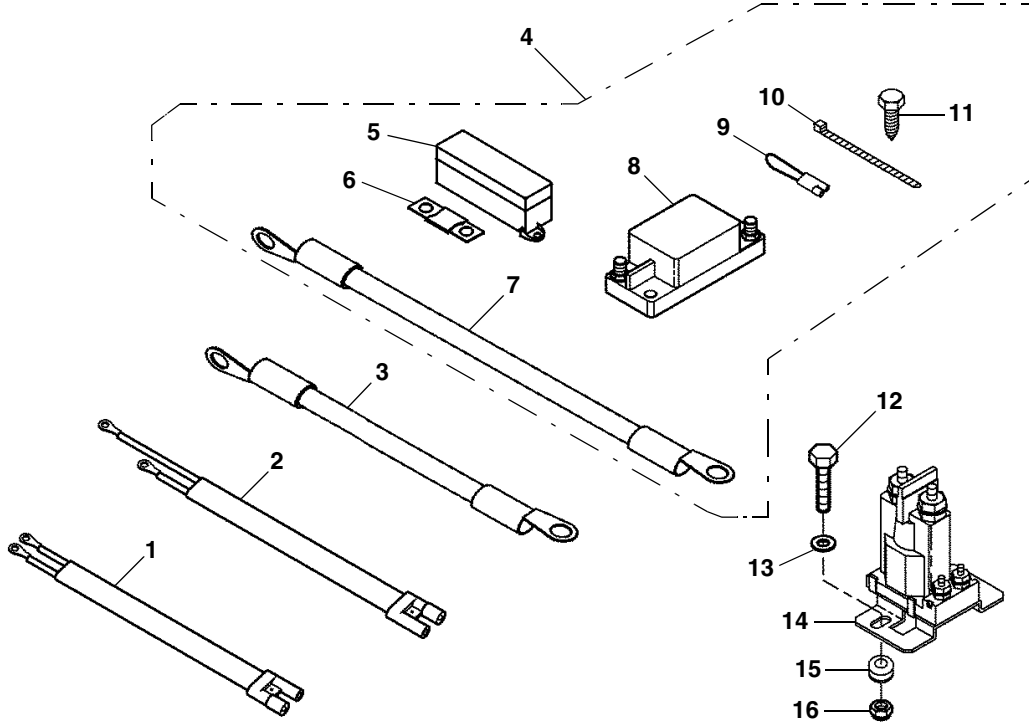
(VALVE ROTATED 180°  
FROM VIEW ON P.15)



## HYDRAULIC POWER UNIT - GRAVITY (CONTINUED)

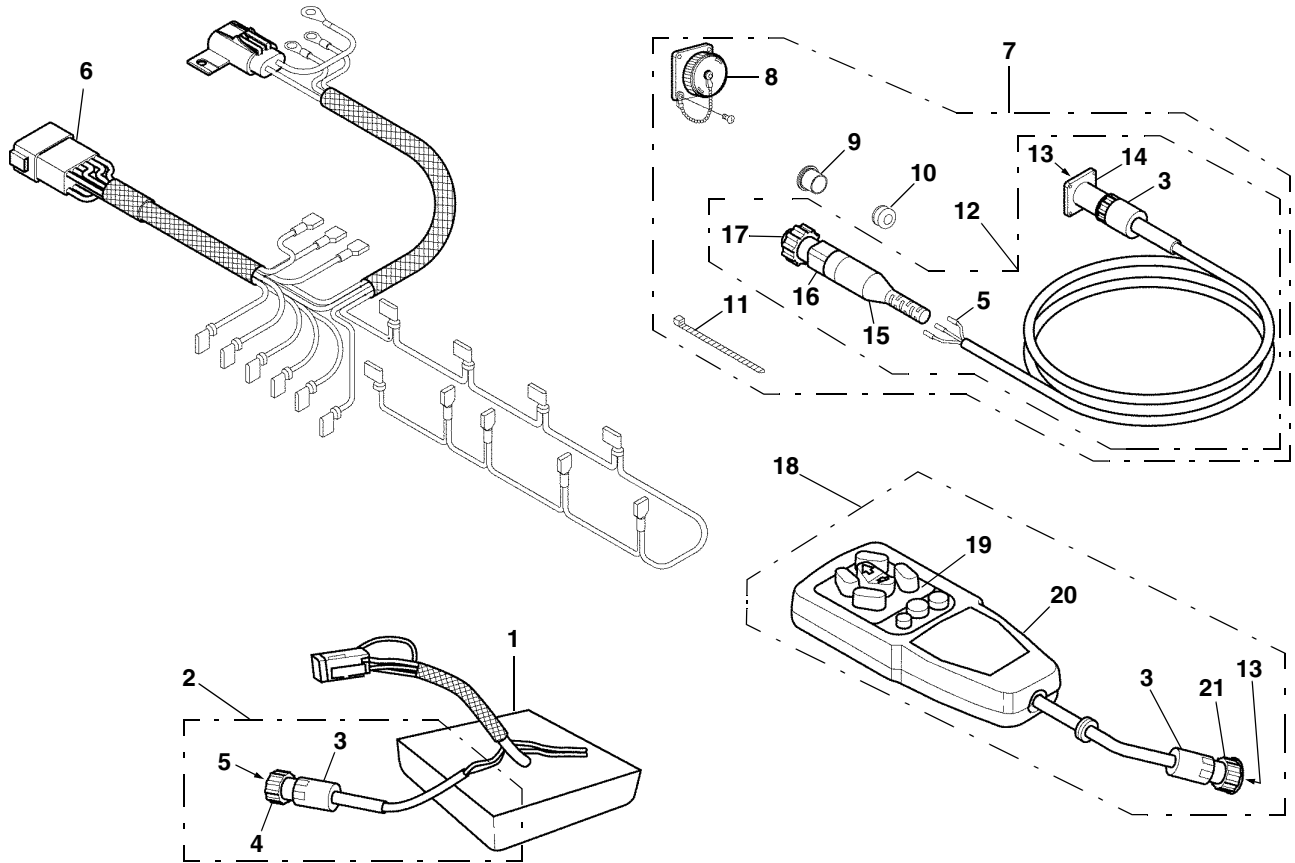
ITEM	PART NO.	DESCRIPTION	QTY
20	96105251	Spring, Retaining .....	6
21	96109146	Valve, Check and Piston Assy. ....	2
22	96105732	Valve, Relief, 2150 PSI .....	2
23	96105234	Fitting, Plug.....	6
24	96105731	Valve, Relief, 1750 PSI .....	2
25		Valve, 10V DC (Red Coil) - Use part 96108341 .....	5
	96108341	Valve, 3-Way, 10V DC (Black Coil) .....	5
26		Cartridge (Red Coil) - Use part 96108341.....	5
	96108324	Cartridge, 3-Way (Black Coil) .....	5
27	96105274	Coil, 10V DC (Red) .....	6
	96108323	Coil, 10V DC (Black).....	6
28	96105238	Valve, Check.....	1
29		Valve, 10V DC (Red Coil) - Use part 96108342 .....	1
	96108342	Valve, 2-Way, 10V DC (Black Coil) .....	1
30		Cartridge (Red Coil) - Use part 96108342.....	1
	96108325	Cartridge, 2-Way (Black Coil) .....	1
31	96105733	Fitting, Orifice .....	1
	96108627	Kit, Orifice Fitting .....	1
32	96105275	Nut, Coil Retaining.....	6
33	96105250	Filter, Inline .....	5
34		Valve Ass'y., 12V DC .....	1

# POWER PACK WIRING



ITEM	PART NO.	DESCRIPTION	QTY
1	96104221	Harness, Battery Power .....	1
2	96104230	Harness, Plow Power .....	1
3	96105273	Harness, Solenoid - HT Series.....	1
4	96105167	Bag Power Harness Parts .....	1
5	96109143	Fuse Holder.....	1
6	96109142	Fuse, 250 Amp .....	1
7	96102891	Cable, Power .....	2
8	96101210	Breaker, Circuit, 150A .....	1
9	96105082	Cap, Protective .....	2
10	96001227	Strap, Tie Plastic .....	2
11	98100037	Screw, Self Tapping, #10-16 x 1".....	4
12	98100253	Cap screw, Hex, 1/4"-20 x 1-1/4".....	2
13	98100254	Washer, Flat, 1/4" .....	2
14	96002086	Switch, Solenoid.....	1
15	96105282	Grommet, 3/8" ID .....	2
16	98100255	Nut, Hex Head Nylock, 1/4"-20.....	2

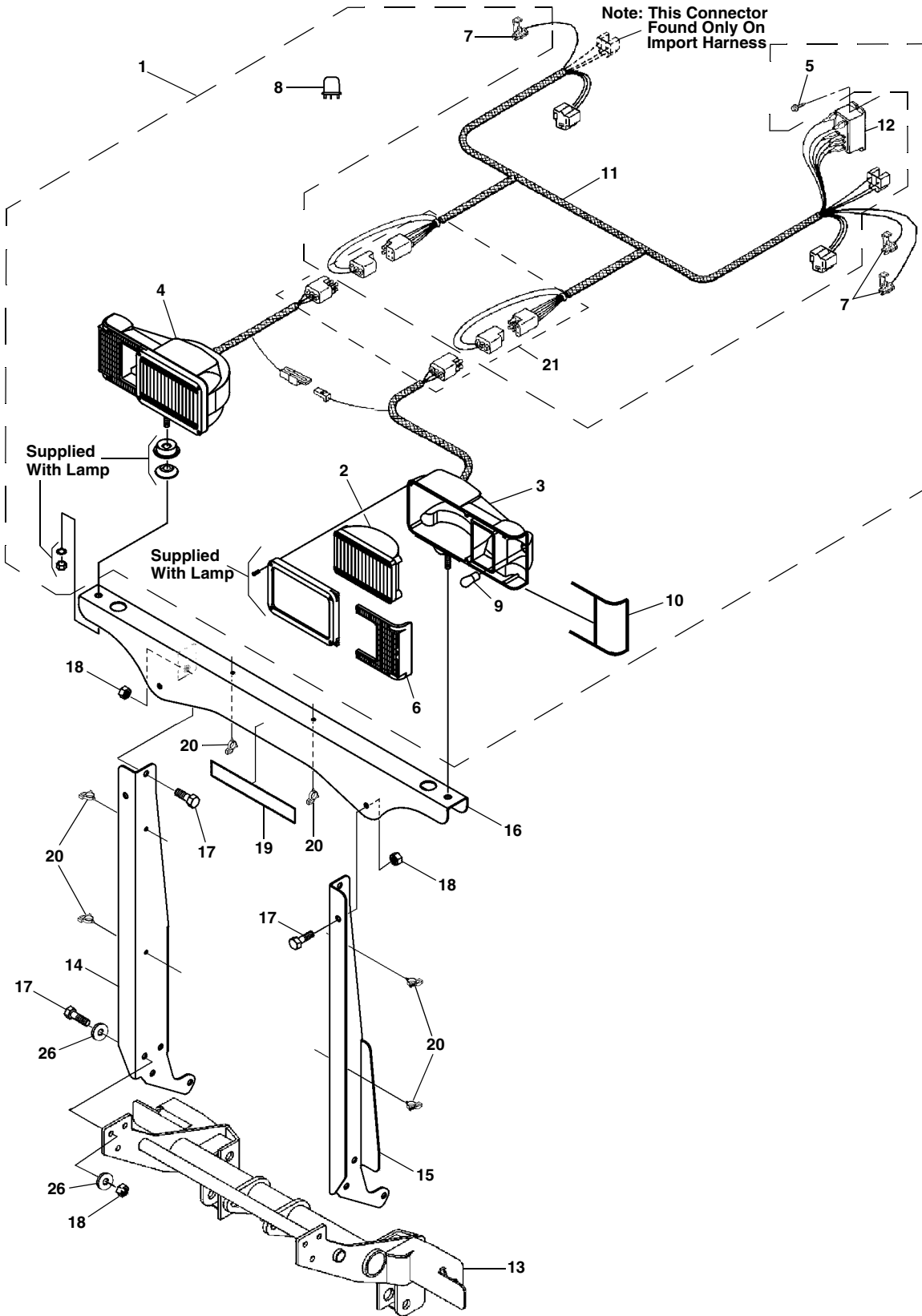
# CONTROL SYSTEM WIRING



ITEM	PART NO.	DESCRIPTION	QTY
1	96105083	Module, Wired Control.....	1
2	96105487	Harness Repair Kit.....	1
3	96105709	Clamp, Cable.....	3
4	96105418	Connector, Plug.....	1
5	96105370	Contact, Signal Socket.....	6
6	96108295	Harness, Solenoids, DP.....	1
	96108294	Harness, Solenoids, Gravity.....	1
7	96105081	Bag, Harness Controls.....	1
8	96105300	Cap, Screw-On.....	1
9	96105284	Cap, 1/2".....	1
10	96104893	Grommet, 5/16" ID.....	1
11	96001227	Strap, Plastic Tie.....	5
12	96105101	Harness, Vehicle.....	1
13	96105416	Contact, Signal Pin.....	6
14	96105710	Connector, Receptacle, Flanged.....	1
15	96105419	Boot, Cable.....	1
16	96105420	Grip, Cable.....	1
17	96105708	Connector, Plug, Unsealed.....	1
18	96104890	Controller Assembly.....	1
19	96104681	Touch Pad, V-Plow.....	1
20	96105299	Housing, Controller (Complete).....	1
21	96105417	Connector, Receptacle.....	1
22	96105325	Insertion Tool for Circular Connectors (not shown).....	1
23	96105404	Extraction Tool for Circular Connectors (not shown).....	1
24	96107194	Controller, Joystick, V, Wired (not shown).....	1
25	96105877	Kit, Connector Repair (not shown) (includes (3) #3, (1) #4, (6) #5, (6) #13, (1) #14, (1) #15, (1) #16, (1) #17, (1) #21, (1) #22 & (1) #23.....	1

# AUXILIARY LIGHTS

S.N. : 28VD100000 - 28VD100301, 28VG100000 - 28VG100099



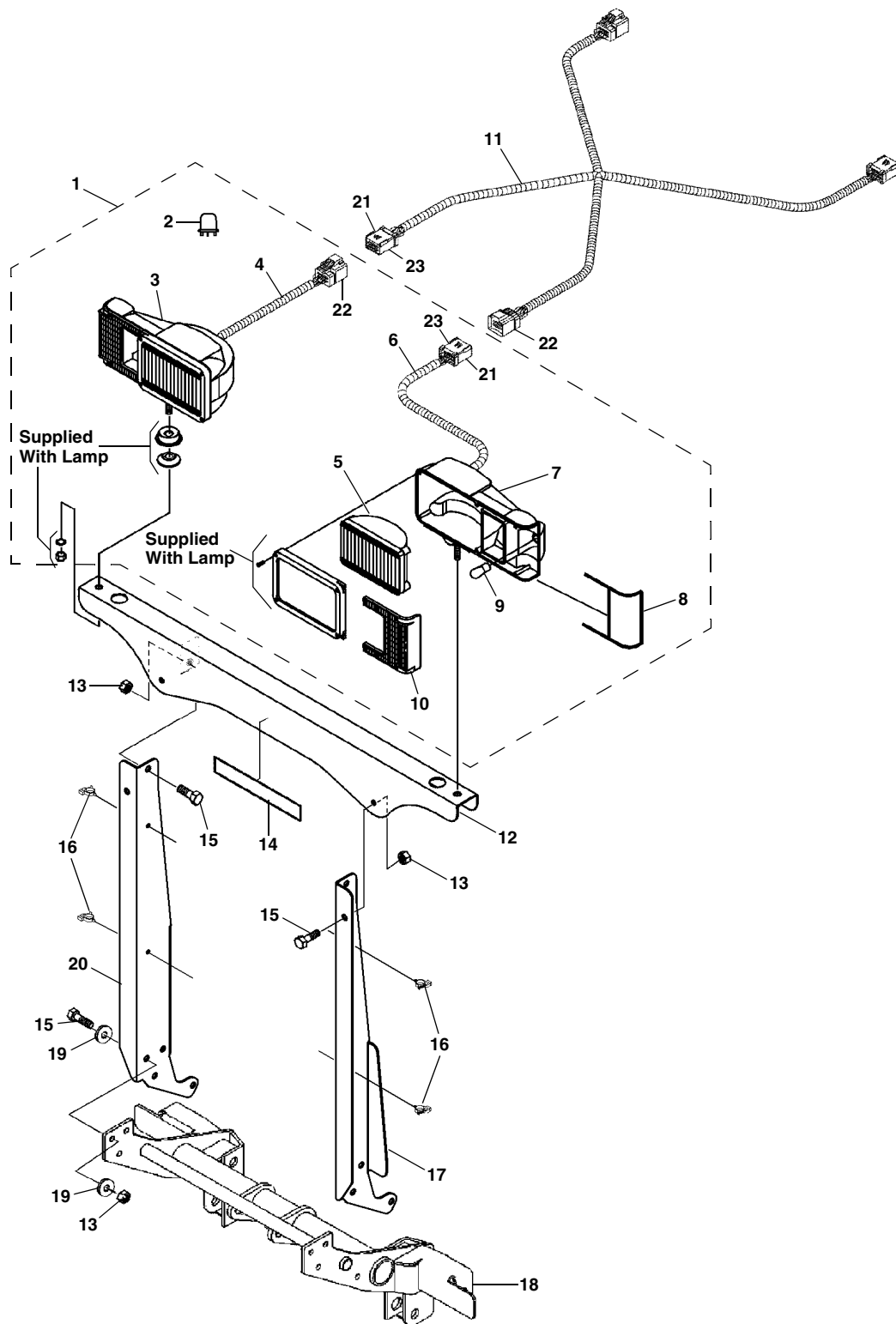
## AUXILIARY LIGHTS

**S.N. : 28VD100000 - 28VD100301, 28VG100000 - 28VG100099**

ITEM	PART NO.	DESCRIPTION	QTY
1	96106606	Kit, Lamp .....	1
2	96100514	Lamp, Sealed Beam .....	2
3	96106690	Light, Assembly, LH .....	1
4	96106691	Light, Assembly, RH .....	1
5	98100037	Screw, Self Tapping #10-16 x 1" .....	2
6	96106692	Lens, Turn Signal .....	2
7	96002039	Scotch Lock™ Connector .....	3
8	96003010	Flasher.....	1
9	96003060	Lamp, Park & Turn .....	2
10	96106693	Gasket, Turn Signal .....	2
11	99100196	Harness, Wiring, Standard .....	1
	99100197	Harness, Wiring, Import.....	1
12	96101536	Relay, DPDT .....	1
13	96107125	Light/Lift Bar, Quick-Attach .....	1
14	96108631	Support, RH.....	1
15	96108630	Support, LH .....	1
16	96107290	Assy., Light Bar.....	1
17	98009022	Capscrew, Hex., 3/8"-16 x 1" .....	10
18	98009009	Nut, Hex., Nylock, 3/8"-16.....	10
19	97100882	Decal, Sno-Way .....	1
20	96100440	Clip, Rosebud .....	4
21	96102116	Kit, Plug Repair.....	1
22		Connector, Male End .....	2
23		Connector, Female End .....	2
24		Connector, Butt .....	24
25		Tube, Shrink.....	24
26	98009032	Washer, Flat, 3/8" .....	6

# AUXILIARY LIGHTS

S.N. AFTER: 28VD100302, 28VG100100



# AUXILIARY LIGHTS

## S.N. AFTER: 28VD100302, 28VG100100

ITEM	PART NO.	DESCRIPTION	QTY
1	96107893	Kit, Lamp, EIS .....	1
2	96003010	Flasher .....	1
3	96107984	Light, Assembly, RH, EIS .....	1
4	96107986	Harness, Plow Light, RH, EIS .....	1
5	96100514	Lamp, Sealed Beam .....	2
6	96107985	Harness, Plow Light, LH, EIS .....	1
7	96107983	Light, Assembly, LH, EIS .....	1
8	96106693	Gasket, Turn Signal .....	2
9	96003060	Lamp, Park & Turn .....	2
10	96106692	Lens, Turn Signal .....	2
11	96107894	Harness, Wiring, Main Light, EIS* .....	1
12	96107290	Assy., Light Bar .....	1
13	98009009	Nut, Hex., Nylock, 3/8"-16 .....	12
14	97100882	Decal, Sno-Way .....	1
15	98009022	Capscrew, Hex., 3/8"-16 x 1" .....	12
16	96100440	Clip, Rosebud .....	4
17	96108630	Support, LH .....	1
18	96107125	Light/Lift Bar, Quick-Attach .....	1
19	98009032	Washer, Flat, 3/8" .....	8
20	96108631	Support, RH .....	1
21	96108116	Connector, Male .....	2
22	96108117	Connector, Female .....	2
23	96108600	Clip, Secondary Lock .....	2

\* NOTE: Adapter required. See Application Guide

# NUMERICAL INDEX

PART NO.	PAGE	ITEM	PART NO.	PAGE	ITEM	PART NO.	PAGE	ITEM
96001227	21	10	96104161	13	1	96105317	16	4
	22	11	96104221	21	1	96105318	16	19
96001392	6	81	96104230	21	2	96105321	13	2
96001531	6	80	96104243	13	4		14	2
96002039	24	7	96104243	14	4	96105325	22	22
96002086	21	14	96104246	13	9	96105330	6	82
96003010	24	8		14	9	96105370	22	5
	26	2	96104247	13	10	96105404	22	23
96003060	24	9		14	10	96105416	22	13
	26	9	96104503	13	14	96105417	22	21
96005046	12	2	96104681	22	19	96105418	22	4
96005100	12	3	96104890	22	18	96105419	22	15
96100001	13	15	96104893	22	10	96105420	22	16
	14	14	96105007	4	7	96105487	22	2
96100085	6	46	96105046	4	19	96105621	4	13
	11	1	96105081	22	7	96105708	22	17
96100440	24	20	96105082	21	9	96105709	22	3
	26	16	96105083	22	1	96105710	22	14
96100492	11	12	96105101	22	12	96105731	18	26
96100514	24	2	96105167	21	4		20	24
	26	5	96105231	16	16	96105732	18	24
96101210	21	8	96105233	16	1		20	22
96101401	8	20	96105234	18	25	96105733	18	34
96101516	11	2		20	23		20	31
96101536	24	12	96105237	16	17	96105734	16	3
96101833	4	1	96105238	18	30	96105735	16	9
96101977	6	75		20	28	96105737	16	12
	10	1	96105239	18	33	96105877	22	25
96102116	24	21	96105240	18	23	96105959	4	40
96102168	4	41	96105241	16	14	96105978	8	27
96102227	4	44	96105244	16	15	96105979	8	28
96102271	4	33	96105245	16	13	96106033	8	14
96102370	6	50	96105249	16	11	96106108	8	4
96102416	18	22	96105250	18	36	96106109	8	4
96102482	9	2		20	33	96106110	8	4
96102536	10	10	96105251	18	20	96106111	8	4
96102537	10	2		20	20	96106144	4	27
96102542	6	64	96105260	6	76	96106606	24	1
	8	22	96105273	21	3	96106690	24	3
96102604	9	5	96105274	18	29	96106691	24	4
96102605	9	1		20	27	96106692	24	6
96102606	9	1	96105275	18	35	96106692	26	10
96102781	6	78		20	32	96106693	24	10
96102832	6	58	96105282	21	15	96106693	26	8
96102891	21	7	96105284	22	9	96106696	8	1
96102915	6	72	96105299	22	20	96106723	14	1
96102916	6	54	96105300	22	8	96106743	4	7
96102927	4	42	96105312	16	18	96106911	14	4
96102938	9	8	96105313	16	5	96107125	24	13
96103000	6	57	96105314	16	8		26	18
96103891	8	6	96105315	16	7	96107125	4	14
96103892	8	6	96105316	16	6	96107128	4	21

# NUMERICAL INDEX

PART NO.	PAGE	ITEM
96107130	4	23
96107194	22	24
96107272	6	53
96107290	24	16
	26	12
96107329	4	20
96107342	8	4
96107343	8	4
96107344	8	4
96107345	8	4
96107346	4	34
96107400	4	14
96107711	4	34
96107893	26	1
96107894	26	11
96107983	26	7
96107984	26	3
96107985	26	6
96107986	26	4
96108017	6	46
	12	1
96108104	12	2
96108105	12	3
96108116	26	21
96108117	26	22
96108294	22	6
96108295	22	6
96108321	6	47
96108322	6	47
96108323	18	29
	20	27
96108324	18	28
	20	26
96108325	18	32
	20	30
96108341	18	27
	20	25
96108342	18	31
	20	29
96108600	26	23
96108604	8	18
96108627	18	34
	20	31
96108630	24	15
96108630	26	17
96108631	24	14
96108631	26	20
96108873	4	17
96108874	4	16
96109013	4	30
96109142	21	6
96109143	21	5

PART NO.	PAGE	ITEM
96109146	18	21
	20	21
97100001	8	13
97100004	6	52
97100005	6	51
97100006	8	12
97100018	8	11
97100400	4	15
97100751	4	9
97100882	24	19
97100882	26	14
97100907	4	8
97100911	8	5
97100912	8	5
97101087	4	10
98009005	6	65
98009008	13	7
	14	7
98009009	6	79
	8	21
	24	18
	26	13
98009011	4	4
98009013	4	24
	8	8
98009022	24	17
	26	15
98009025	13	12
	14	12
98009030	4	12
98009032	4	35
	13	8
	14	8
	24	26
	26	19
98009034	6	55
	8	19
98009036	4	43
98009038	6	73
98009039	6	60
98009042	6	77
98009050	8	17
98009068	6	70
98009069	6	71
98009078	6	59
98009085	4	11
98009169	4	18
98009171	8	7
98009194	6	74
98019176	4	5
	8	9
	9	3

PART NO.	PAGE	ITEM
98019230	4	6
	8	10
	9	4
	9	7
98100007	4	45
98100010	4	3
98100037	21	11
	24	5
98100062	4	31
98100098	4	2
98100099	6	63
98100157	6	68
98100164	6	62
98100165	6	61
98100167	9	6
98100169	6	56
98100170	6	69
98100172	4	29
98100176	4	32
98100253	21	12
98100254	21	13
98100255	13	5
	14	5
	21	16
98100266	13	3
	14	3
98100276	13	6
	14	6
98100277	13	13
	14	13
98100278	13	11
	14	11
98100290	4	28
98100300	4	26
98100312	4	22
98100313	4	25
98100351	8	15
99100196	24	11
99100197	24	11

# NOTES

# NOTES

---

**SNO-WAY<sup>®</sup> INTERNATIONAL, INC.**

**SNO-WAY<sup>®</sup>**  
**SNOW & ICE CONTROL EQUIPMENT**

Hartford, WI 53027 USA  
Website: [www.snoway.com](http://www.snoway.com)  
©2007 Sno-Way<sup>®</sup> International